

Installation and Maintenance Instructions

Instructions pour l'installation et
l'entretien

Instrucciones para la instalación y
mantenimiento

**Bradley EFX 25 Thermostatic Mixing Valve
with Optional Cabinet
Model S19-2100 Series**

**Robinet thermostatique mélangeur EFX 25
avec cabinet facultatif
Bradley modèle S19-2100**

**Válvula mezcladora termostática EFX 25
con armario opcional
Bradley modelo S19-2100**

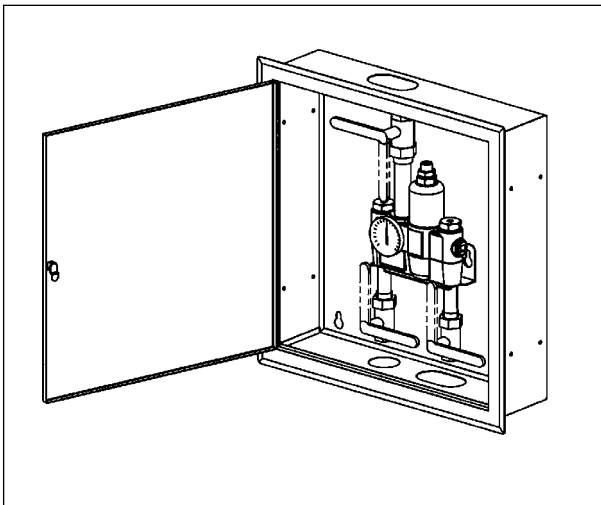


Table of Contents

Pre-Installation Information	2	Recirculation Instructions	6
Valve Installation Instructions.....	3	Maintenance	7-8
Recess-Mounted Cabinet Installation	4	Troubleshooting	8-9
Surface-Mounted Cabinet Installation	5	Parts Breakdown and Service Kits.....	10

Pre-Installation Information

Overview

Valve: The EFX 25 Thermostatic Mixing Valve (Model S19-2100) is designed for use with one drench shower or eye wash(es) or combination drench shower/eye wash. The valve consists of a liquid-filled thermal motor and a piston control mechanism with positive shut-off of hot when cold water supply is lost to prevent scalding. The valve allows cold flow in the event of loss or interruption of the hot water supply or failure of the thermostat. The valve may be mounted in any position.

The maximum inlet temperature of the valve is 180°F (82°C), with a recommended inlet temperature of 120°F–140°F (49°C–60°C). The valve has a maximum operating pressure of 125 PSI (860 kPa).

Cabinet: The optional recess-mounted or surface-mounted cabinet is constructed of 18-gauge stainless steel with a 16-gauge stainless steel door. The cabinet finish is either stainless steel or baked white enamel. The optional cabinet window is made of Plexiglass.

Supplies recommended for installation

- lockable shut-off on the outlet if tempered water is supplied to one or more remote showers
- lockable shut-off on the inlets/supplies
- (6) 3/8" wall anchors and fasteners for surface-mounted cabinet
- (4) 1/4" fasteners (and wall anchors, if necessary) for recess-mounted cabinet
- unions on all connections to facilitate removal of valve

Tools required for temperature adjustment

- 5/32" Allen key
- blade screwdriver

Bradley Warranty Information

Product warranties may be found under "Product Information" on our website at www.bradleycorp.com

Installation Instructions for Valve

⚠ CAUTION: If optional cabinet is to be used, the cabinet must be mounted before the valve is installed. Please refer to the cabinet mounting instructions on pages 4-5.

Note: Flush the supply lines before beginning installation.

Note: When the check valves are in the open (operating) position, the cover screw for the stop/check stem will be flush with the valve cap (see Figure 1).

1. Connect the hot and cold valve supply inlets to the appropriate hot and cold supply piping.
2. Connect the mixed valve supply outlet from the valve to the tempered supply piping.
3. Screw the thermometer into the hole in the valve body (see Figure 2). The thermometer provides a readout of the outlet water temperature.
4. Pressurize the thermostatic mixing valve and check for pipe leaks.
5. Slowly open the outlet valve to fill the piping system.
6. Check the temperature when approximately 10 GPM water flow is reached (equivalent to two face washes) and adjust if necessary [the range of the valve is 65°F–95°F (18°C–35°C)]. To adjust the temperature, follow the procedure below:
 - remove the slotted cover screw to expose the set screw
 - using a 5/32" hex-head Allen key, turn the set screw **counterclockwise** to **increase** the temperature or **clockwise** to **decrease** the temperature.

Note: The standard preset factory temperature setting is 85°F (29°C). Consult proper medical and/or safety authorities for the optimum temperature recommended for your particular application.

7. Shut the hot water inlet off by closing either the hot water check valve or inlet valve. While the hot water supply is turned off, check to make sure the cold water is flowing properly. If the cold water is flowing properly, reopen the hot water supply.
8. Shut the cold water inlet off by closing either the cold water check valve or inlet valve. While the cold water supply is off, check to make sure that the hot water flow has shut down.
9. Test the system weekly (turn on the water supply and check for constant control of the desired set temperature).

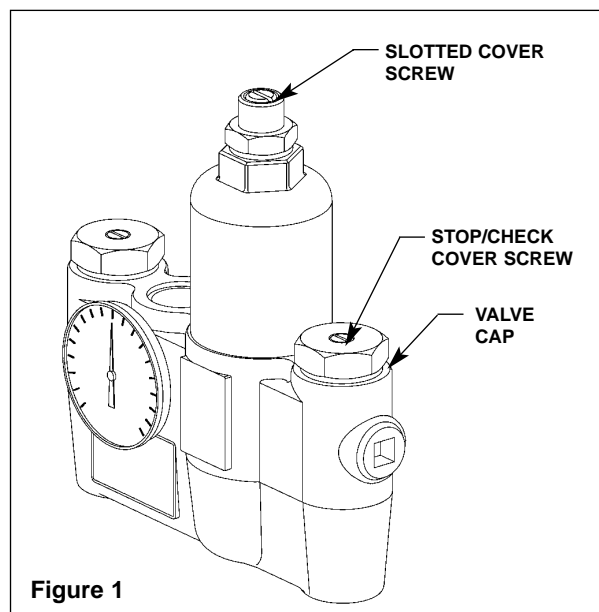


Figure 1

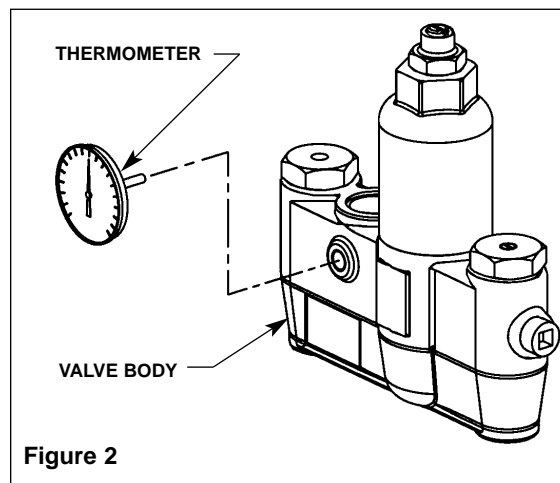


Figure 2

Installation Instructions: Valve with Optional Recess-Mounted Cabinet

Note: Flush the supply lines before beginning installation.

1. Rough in a 24-1/2" W x 24-1/2" H hole in the wall for the cabinet (see Figure 3).
2. Measure and mark the cabinet mounting hole locations at the dimensions shown in Figure 3. Install four 1/4" wall anchors, if required (supplied by installer).
3. Insert the cabinet into the wall opening and secure into place with four 1/4" wall fasteners (supplied by installer).
4. Install two anchors and screws through the valve bracket in back of the cabinet into a secure brace (supplied by installer) or into the wall. This must be done to provide adequate support for the valve.
5. Install the valve nipples and one-half of the union ball valve using pipe dope or teflon tape. Then install the other half of the union ball valve onto the inlet and outlet piping.
6. Insert the valve into the bracket in the cabinet (right side of the valve goes in first). Continue with the valve installation procedure found on page 3.
7. Position the wall flange tight to the wall and caulk in place.

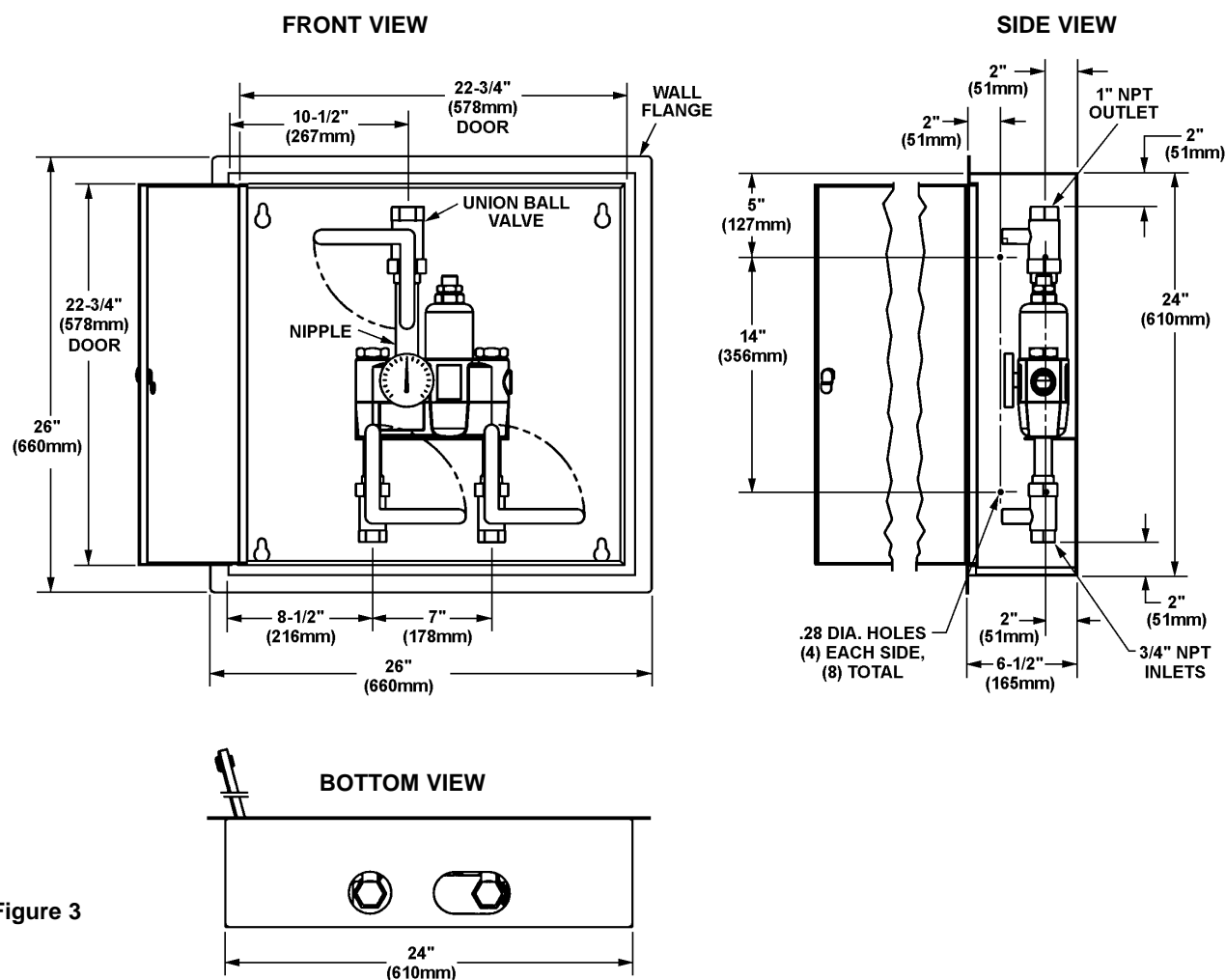


Figure 3

Installation Instructions: Valve with Optional Surface-Mounted Cabinet

Note: Flush the supply lines before beginning installation.

1. Measure and mark the cabinet mounting hole locations at the dimensions shown in Figure 4. Install six 3/8" wall anchors (supplied by installer).
2. Position the cabinet onto the wall and secure into place with six 3/8" wall fasteners (supplied by installer).
3. Install the valve nipples and one-half of the union ball valve using pipe dope or teflon tape. Then install the other half of the union ball valve onto the inlet and outlet piping.
4. Insert the valve into the bracket in the cabinet (right side of the valve goes in first). Continue with the valve installation procedure found on page 3.

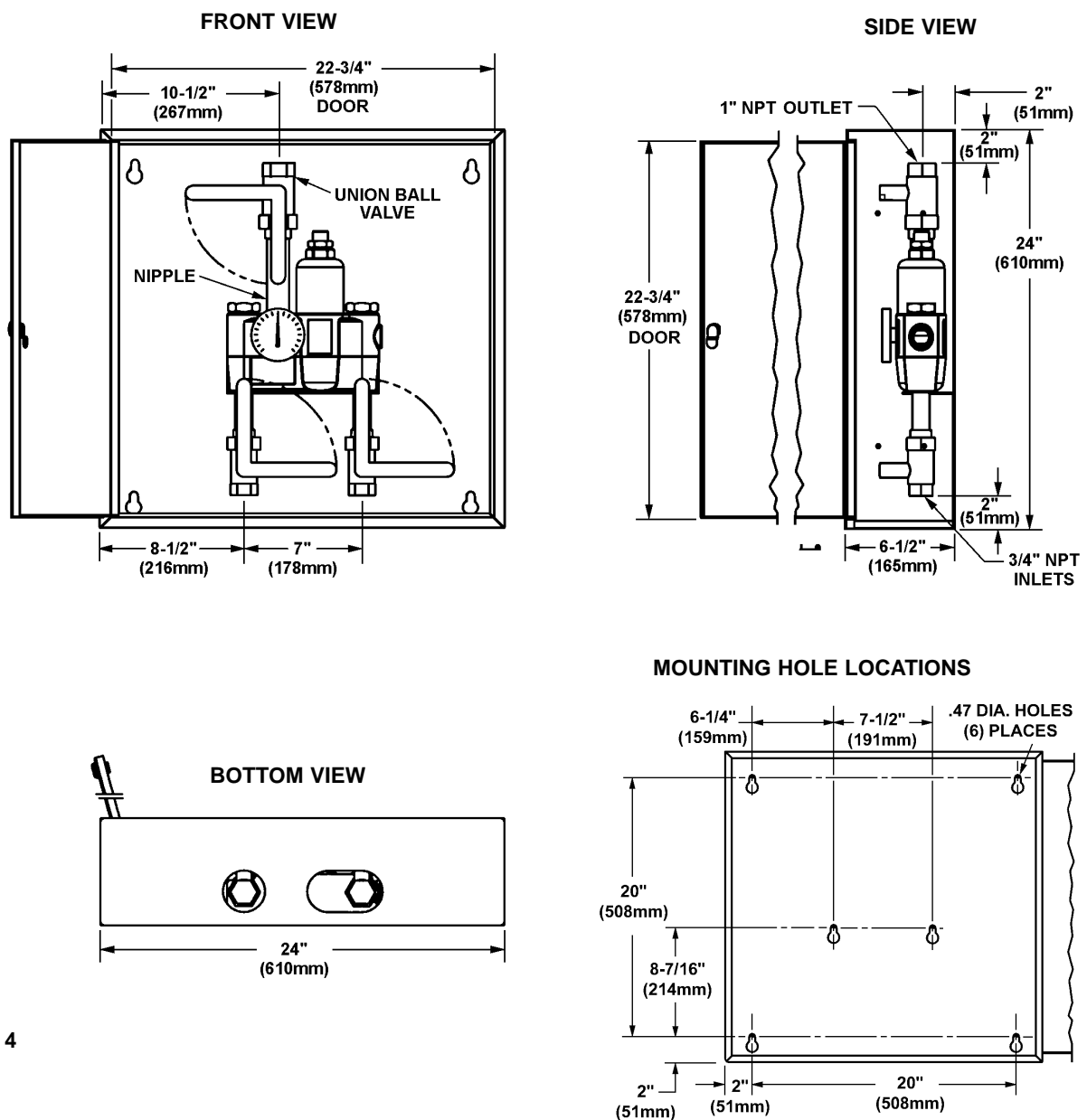
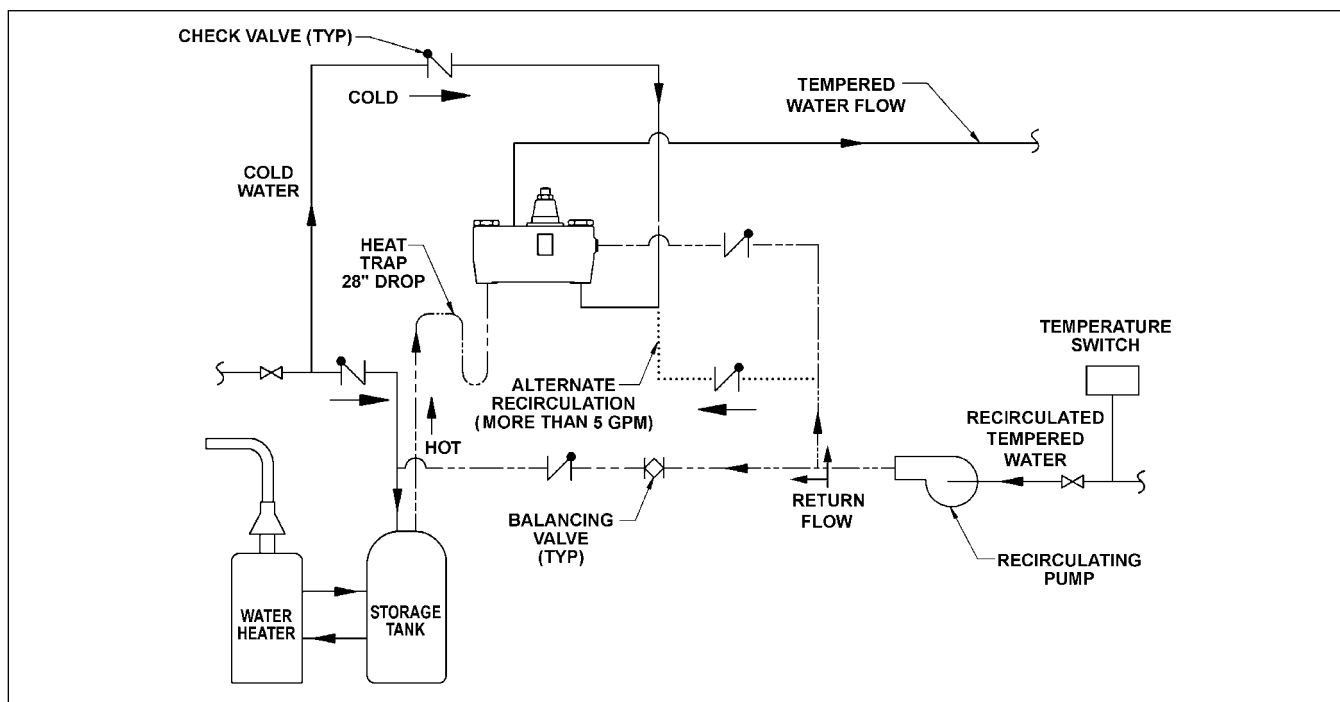


Figure 4

Recirculation Diagram



Recirculation Instructions

Note: Recirculating the water in the system provides constant regulation of the water temperature. Flush the supply lines thoroughly after completing installation. Close off all fixtures and label them as not available for use during the recirculating process.

1. Turn off the recirculating pump and turn on the water supply (a water flow rate of 10-15 GPM is required).
2. Let the water run through the system until a consistent temperature is obtained. If you do not obtain the required temperature, refer to procedure #6 on page 3 for temperature readjustment.
3. As soon as the water reaches the proper temperature, turn on the recirculating pump (make certain the proper system temperature has been achieved before proceeding).
4. Check the water temperature at the return pump. If the temperature exceeds the appropriate level by 2°F, adjust the temperature high-limit switch (this will turn off the pump). Wait until the return water temperature is 5°F below the appropriate level and adjust the low-limit switch (this will turn the pump back on).
5. Turn the balancing valve until it is completely open.
6. Turn off all fixtures and make sure there is no water running through the system (the cold inlet pipe should feel warm to the touch).
7. Let the system run for thirty minutes or longer without water. If, after thirty minutes, the water temperature increases, you may readjust the temperature by slowly closing the balancing valve until the appropriate temperature is reached.

Thermostatic Mixing Valve Maintenance

For maximum efficiency, your thermostatic mixing valve requires a minimum amount of maintenance. Follow the procedures outlined below to achieve highest performance.



WARNING: To prevent injuries, use proper protective equipment for eyes and skin when using a propane torch.

Check the piston for smooth movement

To check the valve's piston for free and smooth movement, follow the procedures outlined below.

1. Remove the valve's top cap and pull out the thermostat and then the push rod (see Figure 5). You may use a needlenose pliers to remove the thermostat from the valve body if desired.
2. Insert a 7/16" dia. rod into the valve and into the piston overheating chamber. Mark the length of the rod inside the valve (see Figure 6).
3. Push the rod until the piston stops and mark the new length (the new length should be approximately 5/16" longer than the original length) (see Figure 6). If the length is not as it should be, the piston is not moving freely and needs to be cleaned along with the piston liner. Clean the piston and liner following the method outlined below:
 - remove the control section assembly from the valve body
 - remove the top cap and thermostat
 - unthread the liner from the cap (it is glued together; the o-rings must be removed and a propane torch must be used to melt the glue and loosen the liner)
 - any cleaner suitable for brass and stainless steel may be used (if cleaning with suitable cleaner is not sufficient to remove debris, a 400-grit sandpaper may be used to polish and hone the piston and liner).
4. If the piston moves freely, push the mechanism up and down several times to make sure the piston moves smoothly and consistently. If movement of the piston is not consistent, recheck the piston and liner for dirt and debris as described in procedure #3.
 - if the piston parts need to be replaced, contact your Bradley representative and ask for Piston/Liner Kit (part number S65-175).

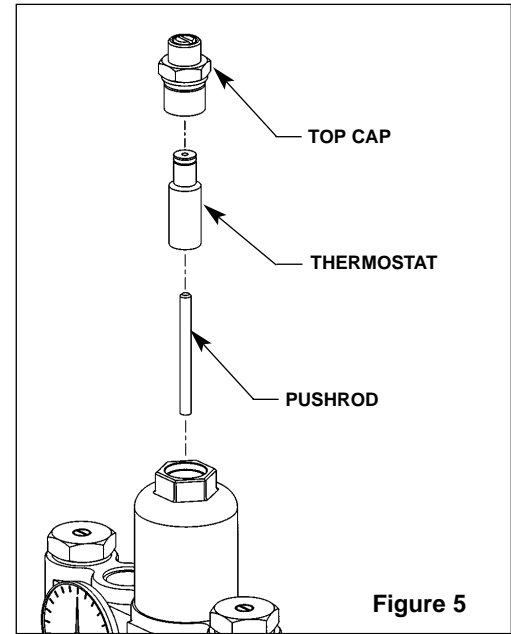


Figure 5

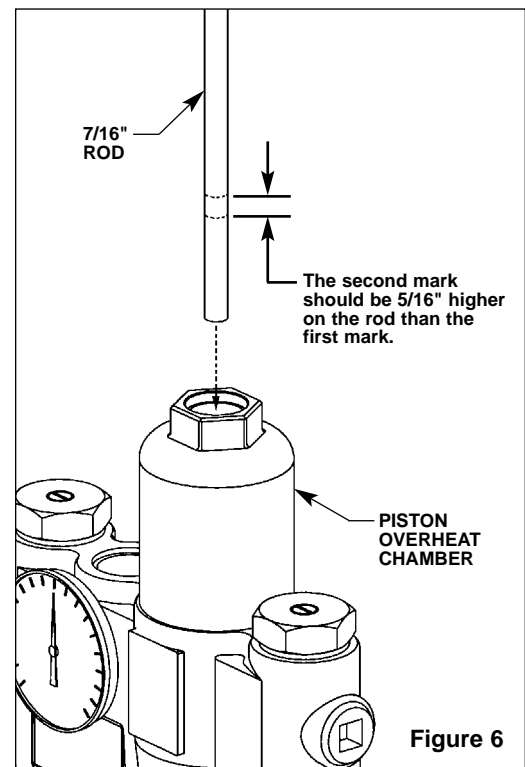


Figure 6

Thermostatic Mixing Valve Maintenance, *continued* . . .

Check the thermostat for proper operation

To check the valve's thermostat for proper operation, follow the procedures outlined below.

1. Remove the top cap and pull out the push rod and thermostat (see Figure 5 on page 7).
2. Insert a 5/16" dia. rod into the thermostat bellows. Mark the length of the rod inside the bellows (see Figure 7).
3. Mark the length of the thermostat bellows (at room temperature, with 10 lb. of force, the bellows length should be approx. 1-1/4") (see Figure 7).
4. If the thermostat bellows length is not in the proper range, the thermostat must be replaced (it cannot be repaired). Contact your Bradley representative and ask for Thermostat Kit (part number S65-174).

Adjust the temperature

To adjust the valve's temperature to other than the factory preset, follow the procedures outlined below.

1. Turn on the water and let it run until at least 10 GPM is flowing through the valve.
2. Remove the slotted cover screw to expose the set screw.
3. Using a 5/32" hex-head Allen key, turn the set screw **counterclockwise** to **increase** the temperature or **clockwise** to **decrease** the temperature.
4. When the adjustment is complete, replace the cover screw and turn off the water.

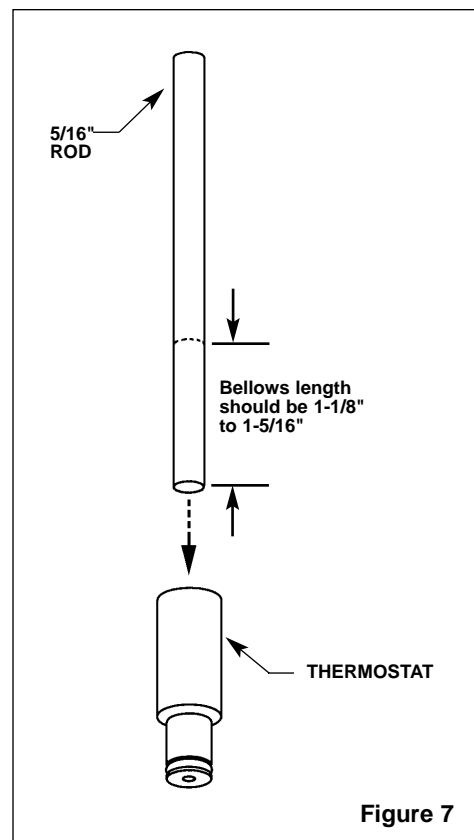


Figure 7

Thermostatic Mixing Valve Troubleshooting

Note: Before attempting to troubleshoot the valve or disassemble the components, check for the following conditions:

- make sure that the check valves are fully open (the slotted stem must be flush with the stop/check cap) (see Figure 1 on page 3) and that all inlet and outlet shut-off valves are open
- make sure that the hot and cold inlet pipes are connected properly, and that there are no cross-connections or leaking stop/check valves
- check the hot water heater output to make sure that it is at least 15° F above the set temperature.

Be sure to close the appropriate shut-off valves prior to disassembly of the valve and reopen the valves after inspection and repair is complete.

Problem: No hot water flow (cold water flow only)

Cause: The thermostat has failed and, subsequently, the safety shut-off has engaged (the shut-off valve has closed on either the inlets or outlet).

Solution: See "Check the thermostat for proper operation" above and follow the step-by-step procedure.

Thermostatic Mixing Valve Troubleshooting, *continued* . . .

Problem: Limited water flow

Cause: The inlet shut-off valve may be partially closed or there has been a significant decrease in water pressure.

Solution: See “Check the thermostat for proper operation” on page 8 and follow the step-by-step procedure.

Cause: The stop and check sections of the valve do not move freely.

Solution: Dirt and debris have collected on the check screen or seat, limiting the movement of the stop and checks. Remove the stop and checks, clean the screen and seat and reassemble the valve (see Figure 8). Do not remove the seat. The components may be scraped with a screwdriver to remove debris.

A pair of tweezers works well for pulling debris out from the seat. If the stop and checks need to be replaced, contact your Bradley representative and ask for Check/Stop Kit (part number S65-176).

Problem: Improper water temperature

Cause: Recirculation is not balanced.

Solution: See “Recirculation instructions” on page 6 and follow the step-by-step procedure.

Problem: External leaks in the system

Cause: Either the NPT joints or the o-rings have been damaged.

Solution: Replace the NPT joints and/or o-rings where necessary. For replacement of o-rings, contact your Bradley representative and ask for O-Ring/Seal Kit (part number S65-173).

Problem: Temperature fluctuation

Cause: Thermostat is slowly failing.

Solution: See “Check the thermostat for proper operation” on page 8 and follow the step-by-step procedure.

Cause: Recirculation is not balanced.

Solution: See “Recirculation instructions” on page 6 and follow the step-by-step procedure.

Cause: Inlet supply line to the mixing valve is being shared by other pieces of equipment that are used only periodically, such as laundry appliances or washdown stations. It may reduce the inlet pressure to the mixing valve to less than 10 PSI. The supply line size may not be large enough to supply both the valve and the other appliances.

Solution: Enlarge the supply line size, reconfigure the supply line or regulate the supply usage.

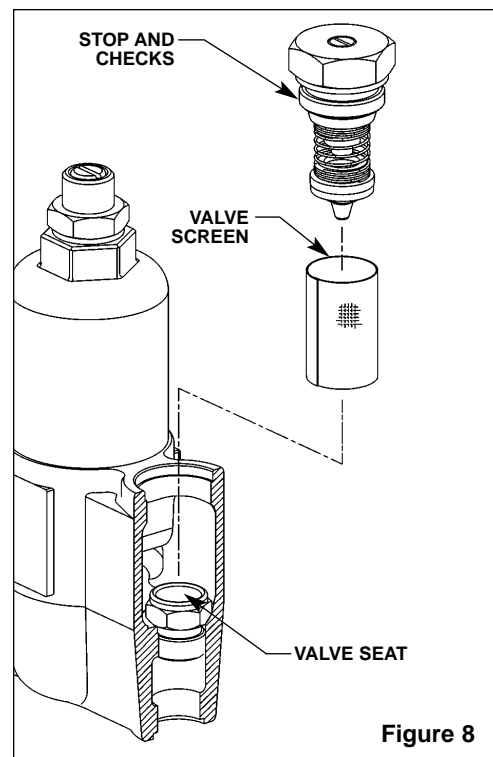
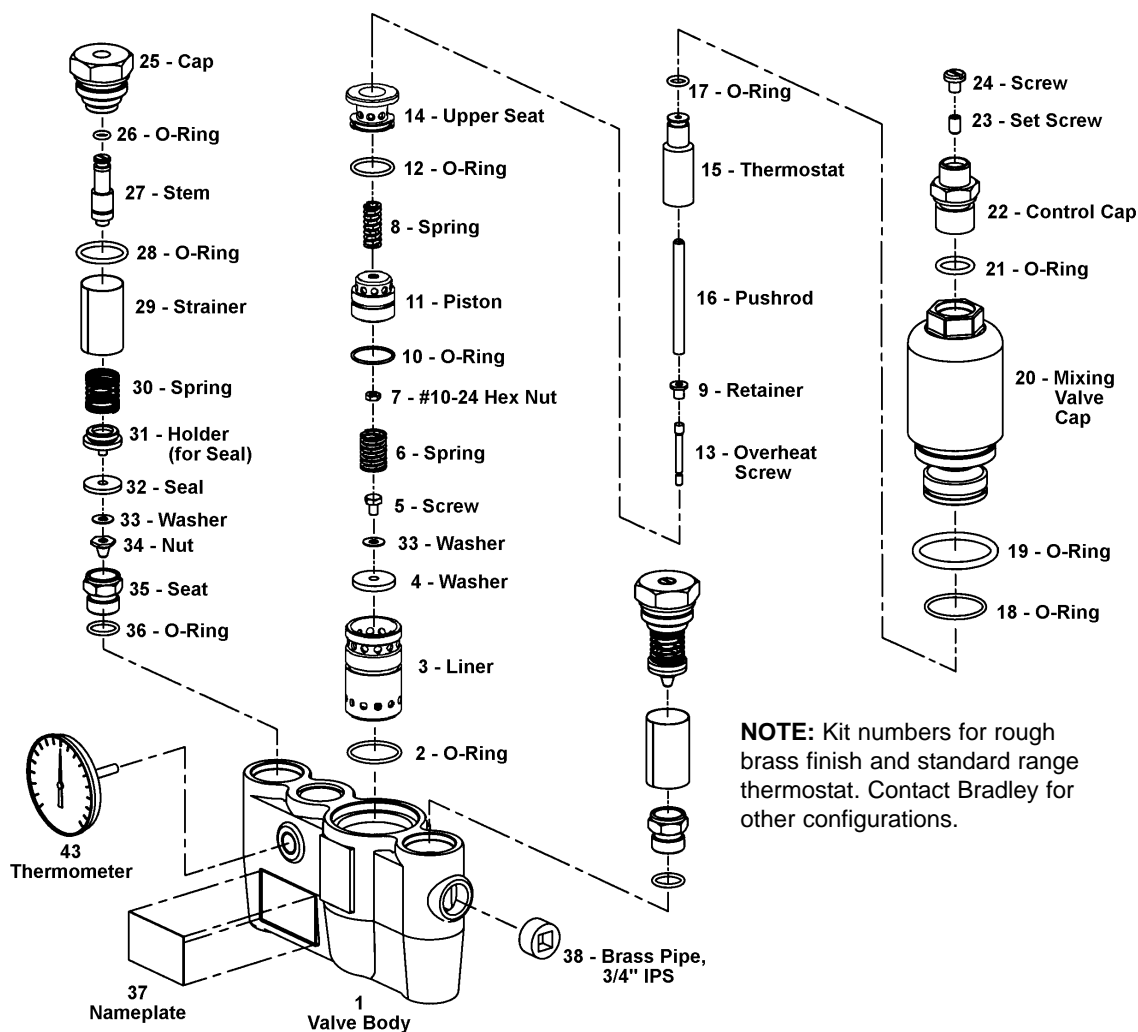


Figure 8

EFX 25: Parts Breakdown and Service Kits



NOTE: Kit numbers for rough brass finish and standard range thermostat. Contact Bradley for other configurations.

Thermostat Kit S65-174		
Item	Qty.	Description
15	1	Thermostat
17	1	O-Ring
21	1	O-Ring

Washer/Seal Kit S65-310		
Item	Qty.	Description
4	1	Washer
32	2	Seal
33	3	Washer

Piston & Liner Kit S65-175		
Item	Qty.	Description
2	1	O-Ring
3	1	Liner
4	1	Washer
5	1	Screw
6	1	Spring
7	1	#10-24 Hex Nut
8	1	Spring
10	1	O-Ring
11	1	Piston
33	1	Washer

O-Ring Kit S65-173		
Item	Qty.	Description
2	1	O-Ring
10	1	O-Ring
12	1	O-Ring
17	1	O-Ring
18	1	O-Ring
19	1	O-Ring
21	1	O-Ring
26	2	O-Ring
28	2	O-Ring
36	2	O-Ring

Check/Stop Kit S65-176		
Item	Qty.	Description
25	2	Cap
26	2	O-Ring
27	2	Stem
28	2	O-Ring
29	2	Strainer
30	2	Spring
31	2	Holder (for Seal)
32	2	Seal
33	2	Washer
34	2	Nut
35	2	Seat
36	2	O-Ring

Center Section Kit S65-304		
Item	Qty.	Description
2	1	O-Ring
3	1	Liner
4	1	Washer
5	1	Screw
6	1	Spring
7	1	#10-24 Hex Nut
8	1	Spring
9	1	Retainer
10	1	O-Ring
11	1	Piston
12	1	O-Ring
13	1	Overheat Screw
14	1	Upper Seat
15	1	Thermostat
16	1	Pushrod
17	1	O-Ring
18	1	O-Ring
19	1	O-Ring
20	1	Mixing Valve Cap
21	1	O-Ring
22	1	Control Cap
23	1	Set Screw
24	1	Screw
33	1	Washer

Table des matières

Information avant l'installation	11	Directives pour la recirculation.....	15
Installation du robinet	12	Entretien.....	16-17
Installation du cabinet suspendu	13	Dépannage	17-18
Installation du cabinet de surface.....	14	Liste des pièces et des troussees de service.....	19

Information avant l'installation

Description

Robinet : Le robinet thermostatique mélangeur EFX 25, (modèle S19-2100), est conçu pour être utilisé avec une douche d'urgence, une douche oculaire, ou avec une combinaison douche d'urgence/oculaire.

Le robinet est constitué d'un moteur thermique rempli de liquide. Pour empêcher les échaudages, un mécanisme de contrôle à piston ferme automatiquement l'alimentation en eau chaude en cas de manque d'eau froide. Le robinet distribue un jet d'eau froide, en cas de perte ou d'interruption d'alimentation en eau chaude, ou en cas d'une panne du thermostat. Le robinet peut être installé dans n'importe quelle position.

La température maximum à l'entrée du robinet est de 82°C (180°F), et la température recommandée à l'entrée est de 49° à 60°C (120° à 140°F). La pression d'opération maximum du robinet est de 860 kPA (125 psi).

Cabinet : Le module, à montage suspendu ou de surface, est construit en acier inoxydable de calibre 18, avec une porte en acier inoxydable de calibre 16. La finition du cabinet est en acier inoxydable ou en émail cuit de couleur blanc. La fenêtre en Plexiglas est facultative.

Fournitures recommandées pour l'installation

- arrêt d'alimentation avec verrouillage aux sorties, si certaines douches du site sont alimentées en eau tempérée
- arrêt d'alimentation avec verrouillage aux entrées
- 6 ancrages muraux et attaches de 3/8" pour le cabinet de surface
- 4 attaches (et ancrages muraux si nécessaire) de 1/4" pour le cabinet suspendu
- raccords à tous les branchements, pour faciliter l'enlèvement du robinet

Outils nécessaires pour l'ajustement de la température

- clé Allen de 5/32"
- tournevis plat

Informations de garantie Bradley

Les garanties du produit figurent sous la rubrique « Informations techniques » sur notre site Internet à www.bradleycorp.com.

Installation du robinet



**ATTENTION : Si on utilise le cabinet facultatif, il devra être installé avant le robinet.
Se référer aux directives pour l'installation du cabinet, aux pages 13 et 14.**

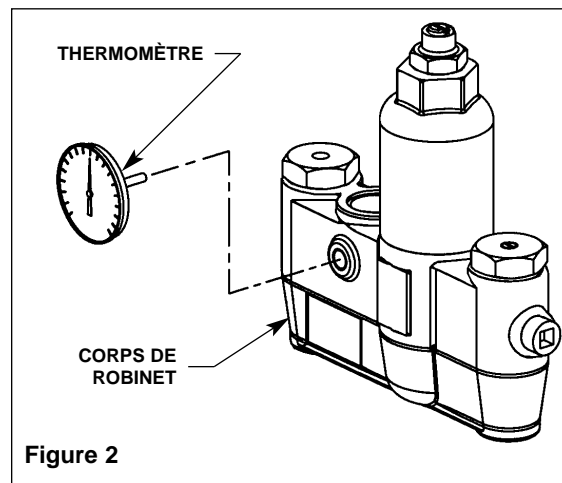
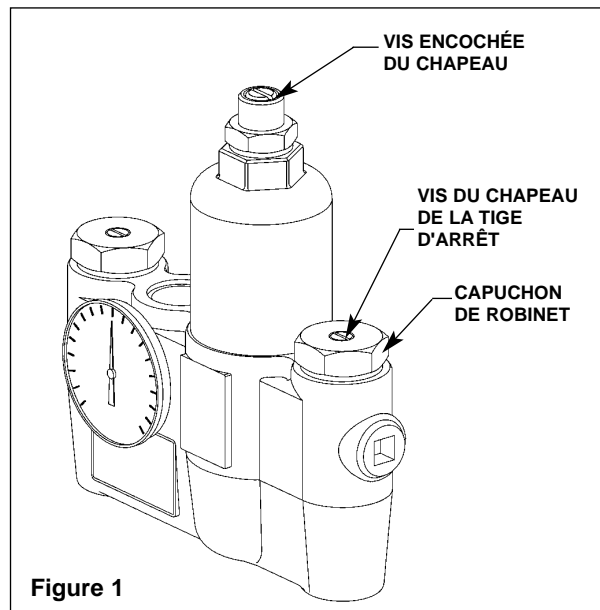
Note : Vider le tuyau d'approvisionnement en eau avant de débiter l'installation.

Note : Lorsque les clapets anti-retour sont en position ouverts, la vis du chapeau de la tige d'arrêt est de niveau avec le capuchon de robinet (voir Figure 1).

1. Brancher l'eau chaude et froide d'entrée d'alimentation du robinet à la tuyauterie appropriée.
2. Brancher la sortie d'alimentation du robinet mélangeur à la tuyauterie d'alimentation en eau tempérée.
3. Visser le thermomètre dans l'orifice du corps du robinet (voir Figure 2). Le thermomètre donne une lecture de la température de l'eau à la sortie.
4. Pressuriser le robinet thermostatique mélangeur et vérifier s'il y a des fuites.
5. Ouvrir le robinet doucement, de manière à remplir le système de tuyauterie.
6. Lorsque qu'un débit moyen de 38 litres/minute (10 gallons/minute) est atteint (équivalent à un double rinçage facial), vérifier la température et ajuster si nécessaire [la variation du robinet est de 18° à 35°C (65° à 95°F)]. Pour ajuster la température, procéder comme suit :
 - enlever la vis encochée du chapeau, afin d'exposer la vis d'ajustement
 - à l'aide d'une clé Allen hexagonale de 5/32", tourner la vis d'ajustement vers la **gauche** pour **augmenter** la température ou vers la **droite** pour **l'abaisser**.

Note : La température pré-réglée en usine est de 29°C (85°F). Consulter les autorités, médicales ou de sécurité, pour déterminer la température maximale recommandée pour votre application en particulier.

7. Fermer l'alimentation en eau chaude, soit par le clapet anti-retour ou l'entrée d'eau chaude. Alors que l'alimentation en eau chaude est fermée, vérifier si le jet d'eau froide est régulier. Si oui, ouvrir l'alimentation en eau chaude.
8. Fermer l'alimentation en eau froide, soit par le clapet anti-retour ou l'entrée d'eau froide. Alors que l'alimentation en eau froide est fermée, s'assurer que le jet d'eau chaud s'est arrêté.
9. Faire une vérification hebdomadaire du système (ouvrir l'alimentation en eau et vérifier si la température réglée pour l'eau est constante).



Installation du robinet avec cabinet suspendu facultatif

Note : Vider le tuyau d'approvisionnement en eau avant de débiter l'installation.

1. Pratiquer une ouverture initiale de 62 cm L x 62 cm H (24,5" x 24,5") dans le mur, pour y fixer le cabinet (voir Figure 3).
2. Mesurer et marquer l'emplacement des trous pour le montage, selon les dimensions indiquées à la Figure 3. Si nécessaire, installer quatre ancrages muraux de 1/4" (fournis par l'installateur).
3. Insérer le cabinet dans l'ouverture et le fixer en place avec quatre attaches murales de 1/4" (fournies par l'installateur).
4. Installer deux vis et deux ancrages à travers le support de robinet, à l'arrière du cabinet, le tout fixé avec une attache de sécurité (fournie par l'installateur) ou dans le mur. Cette opération est nécessaire afin d'offrir un support adéquat au robinet.
5. Installer les raccords du robinet ainsi qu'une moitié de la valve de retenue, à l'aide d'enduit d'étanchéité pour tuyaux ou de ruban de téflon. Puis, installer l'autre moitié de la valve de retenue sur l'entrée et la sortie de la tuyauterie.
6. Insérer le robinet dans le support, dans le cabinet (le côté droit du robinet en premier). Continuer l'installation du robinet selon les procédures indiquées à la page 12.
7. Positionner la bride contre le mur et calfeutrer en place.

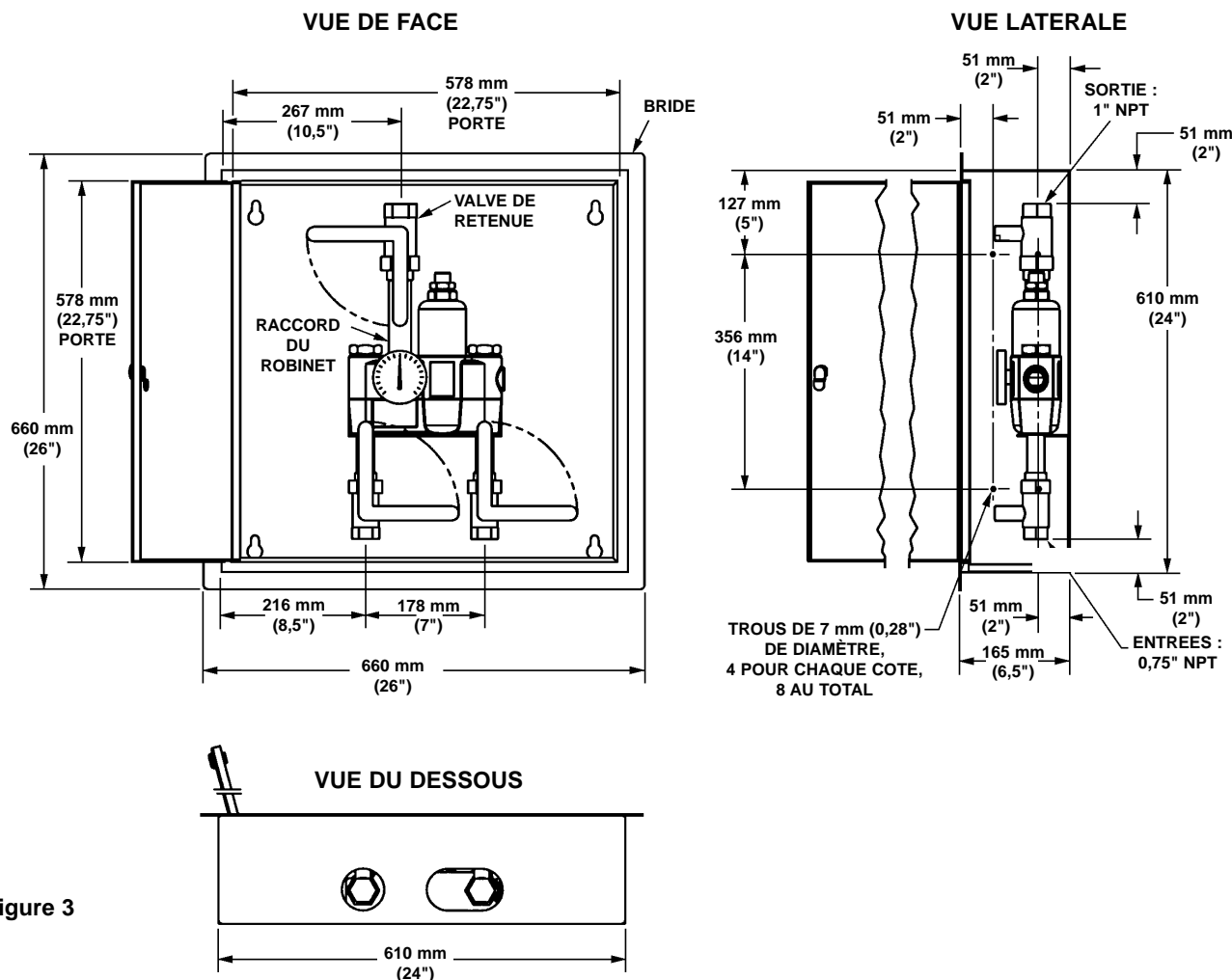


Figure 3

Installation du robinet avec cabinet de surface facultatif

Note : Vider le tuyau d'approvisionnement en eau avant de débuter l'installation.

1. Mesurer et marquer l'emplacement des trous pour le montage, selon les dimensions indiquées à la Figure 4. Installer six ancrages muraux de 3/8" (fournis par l'installateur).
2. Aligner le cabinet face aux trous de montage et le fixer en place avec six attaches murales de 3/8" (fournies par l'installateur).
3. Installer les raccords du robinet ainsi qu'une moitié de la valve de retenue, à l'aide d'enduit d'étanchéité pour tuyaux ou de ruban de téflon. Puis, installer l'autre moitié de la valve de retenue sur l'entrée et la sortie de la tuyauterie.
4. Insérer le robinet dans le support, dans le cabinet (le côté droite du robinet en premier). Continuer l'installation du robinet selon les procédures indiquées à la page 12.

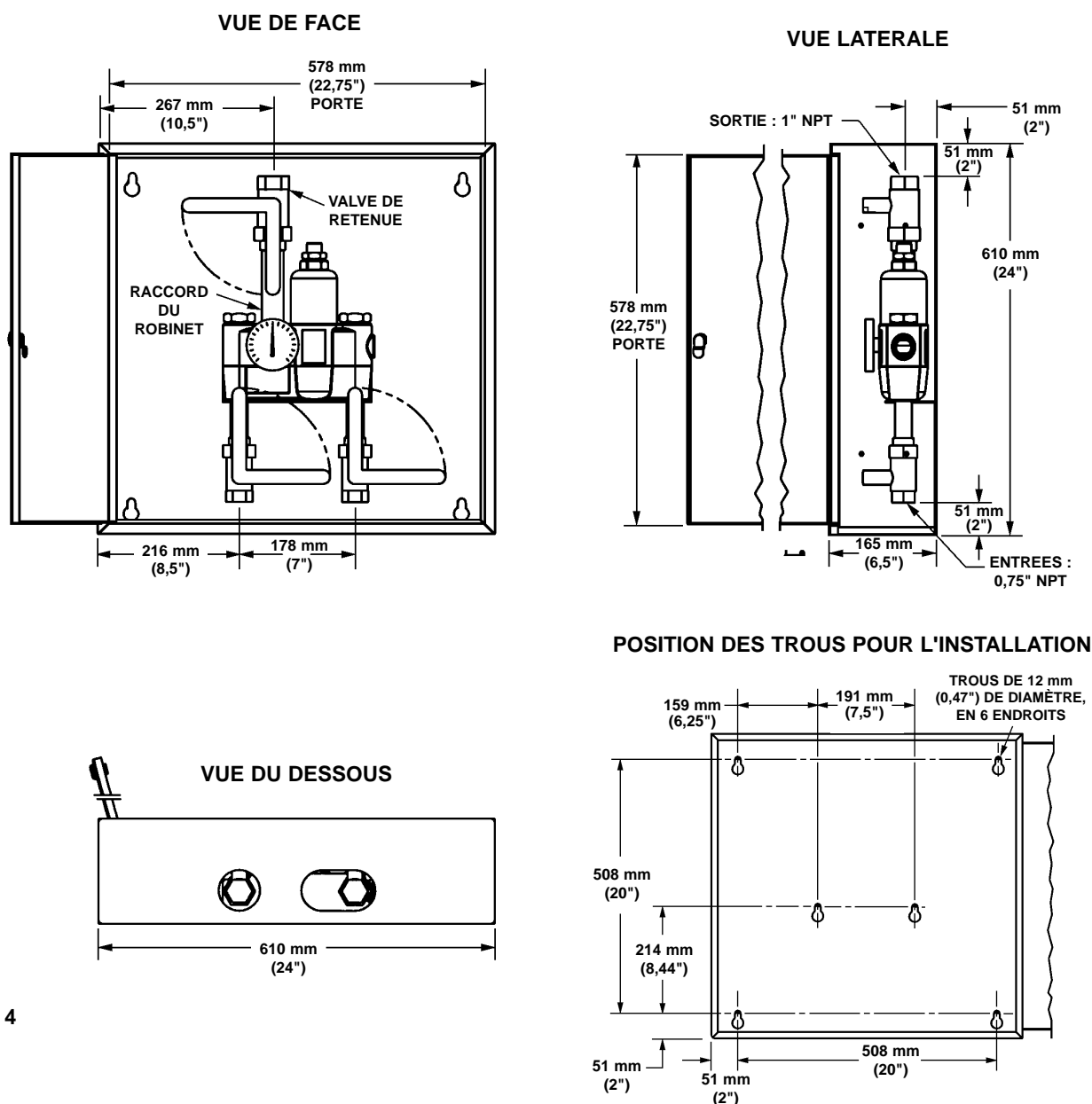
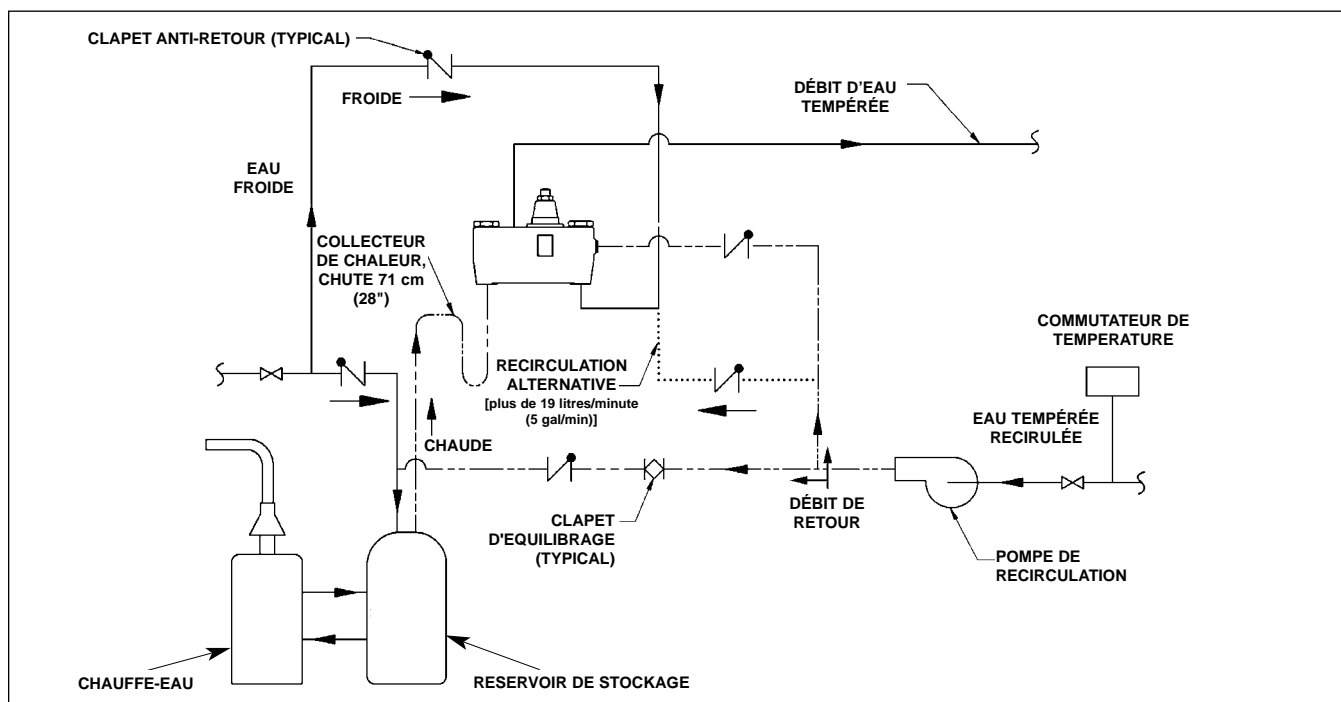


Figure 4

Schéma de recirculation



Directives pour la recirculation

Note : La recirculation d'eau dans le système fournie une régulation constante de la température de l'eau. Complètement vider le tuyau d'approvisionnement en eau après avoir terminé l'installation. Durant le processus de recirculation, fermer tous les douches de premier secours et les identifier comme étant occupés.

1. Fermer la pompe de recirculation et ouvrir l'alimentation en eau [un débit de 38 à 56 litres/minute (10 à 15 gallons/minute) est nécessaire].
2. Laisser circuler l'eau dans le système, jusqu'à l'atteinte d'une température cohérente. Si la température nécessaire n'est pas atteinte, se référer à l'étape 6 en page 12, pour le réajustement de la température.
3. Dès que l'eau atteint la température appropriée, démarrer la pompe de recirculation (s'assurer que la température appropriée du système est atteinte avant de procéder).
4. Vérifier la température d'eau de la pompe de retour. Si la température excède le niveau approprié par plus de 1°C (2°F), ajuster le commutateur pour l'élévation maximum de la température (la pompe cessera de fonctionner). Attendre que la température de l'eau se soit abaissée à 2,8°C (5°F) sous le niveau approprié et ajuster le commutateur pour le niveau minimum (la pompe va redémarrer).
5. Tourner le clapet d'équilibrage jusqu'à ce qu'il soit complètement ouvert.
6. Fermer tous les douches de premier secours et s'assurer qu'il n'y a pas d'eau en circulation dans le système (le tuyau d'entrée d'eau froide devrait être tiède au toucher).
7. Laisser le système fonctionner sans eau durant 30 minutes ou plus. Si après 30 minutes, la température de l'eau augmente, réajuster la température à son niveau approprié, en fermant légèrement le clapet d'équilibrage.

Entretien du robinet thermostatique mélangeur

Pour une efficacité maximum, le robinet thermostatique mélangeur nécessite peu d'entretien. Suivre les directives ci-dessous pour obtenir les meilleures performances.



AVERTISSEMENT : Pour empêcher les blessures, porter les équipements protecteurs pour les yeux et la peau, lors de l'utilisation d'une torche au propane.

Vérifier l'aisance de la course du piston

Pour vérifier l'aisance de la course du piston, procéder comme suit.

1. Enlever le capuchon de robinet, puis retirer le thermostat et la bielle (voir Figure 5). Si désiré, utiliser une pince à bec effilé pour enlever le thermostat du corps du robinet.
2. Insérer une bielle de 11 mm (0,44") de diamètre dans le robinet et dans la chambre de surchauffe du piston. Noter la longueur de la bielle dans le robinet (voir Figure 6).
3. Pousser la bielle, jusqu'à l'arrêt du piston et noter la nouvelle longueur [la nouvelle longueur devrait être plus longue que l'originale, environ 8 mm (0,31") de plus (voir Figure 6)]. Si la longueur n'est pas ce qu'elle devrait être, la course du piston ne se fait pas librement. Le piston et sa chemise nécessite un nettoyage. Nettoyer le piston et sa chemise selon la méthode suivante :
 - enlever la section de contrôle du corps du robinet
 - enlever le capuchon et le thermostat
 - séparer la chemise et le capuchon (ils sont collés ensemble ; les bagues doivent être enlevées et une torche au propane doit être utilisée pour fondre la colle et libérer la chemise)
 - tout nettoyeur convenant au laiton et à l'acier inoxydable, peut être utilisé (si le nettoyage ne suffit pas à enlever les débris, un papier sablé 400 peut être utilisé pour polir et affiler le piston et sa chemise).
4. Si la course du piston se fait librement, pousser le mécanisme de haut en bas plusieurs fois, pour s'assurer que la course du piston se fait constamment en douceur. Si la course du piston ne se fait pas en douceur, vérifier à nouveau le piston et sa chemise pour les saletés et les débris, tel qu'indiqué à l'étape 3.
 - si des pièces du piston doivent être remplacées, contacter votre représentant Bradley et demander la trousse Piston/Chemise (pièce numéro S65-175).

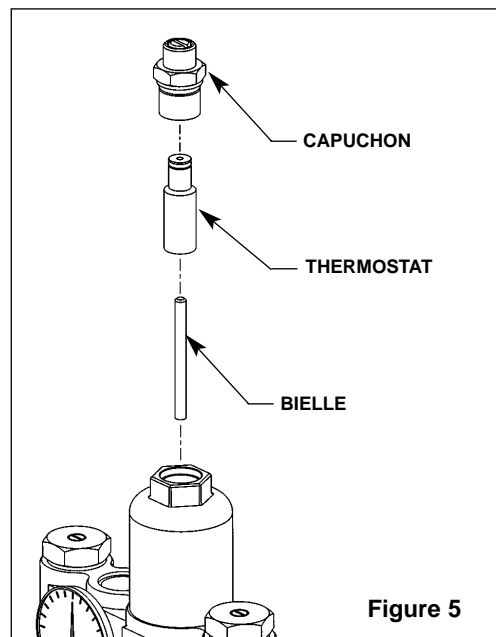


Figure 5

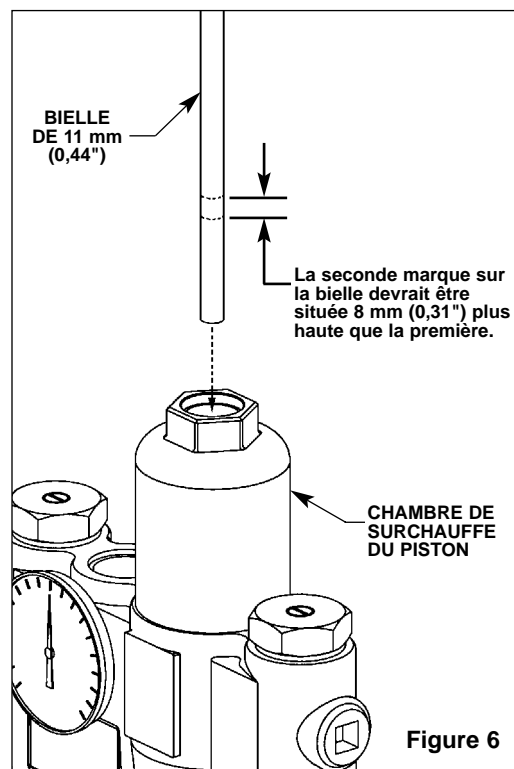


Figure 6

Entretien du robinet thermostatique mélangeur, suite

Vérification du fonctionnement approprié du thermostat

Pour vérifier si le thermostat du robinet a un fonctionnement approprié, procéder comme suit.

1. Enlever le chapeau, puis sortir la bielle et le thermostat (voir Figure 5, page 16).
2. Insérer une bielle de 8 mm (0,31") de diamètre dans le soufflet du thermostat. Noter la longueur de la bielle dans le soufflet (voir Figure 7).
3. Noter la longueur du soufflet du thermostat [à température de la pièce, avec 4,45 kg / 44,5 N (10 lb) de force, la longueur du soufflet devrait être d'environ 32 mm (1,25")] (voir Figure 7).
4. Si la longueur du soufflet du thermostat n'est pas appropriée, le thermostat doit être remplacé (il ne peut être réparé).
Contacter votre représentant Bradley et demander la trousse Thermostat (pièce numéro S65-174).

Ajuster la température

Pour ajuster la température du robinet à un niveau différent de celui réglé en usine, procéder comme suit.

1. Ouvrir et laisser couler l'eau, jusqu'à ce qu'un débit de 38 litres/minute (10 gallons/minute) s'écoule par le robinet.
2. Enlever la vis encochée du chapeau, afin d'exposer la vis d'ajustement.
3. À l'aide d'une clé Allen hexagonale de 5/32", tourner la vis d'ajustement vers la **gauche** pour **augmenter** la température ou vers la **droite** pour **l'abaisser**.
4. Lorsque l'ajustement est complété, remettre la vis du chapeau et fermer l'eau.

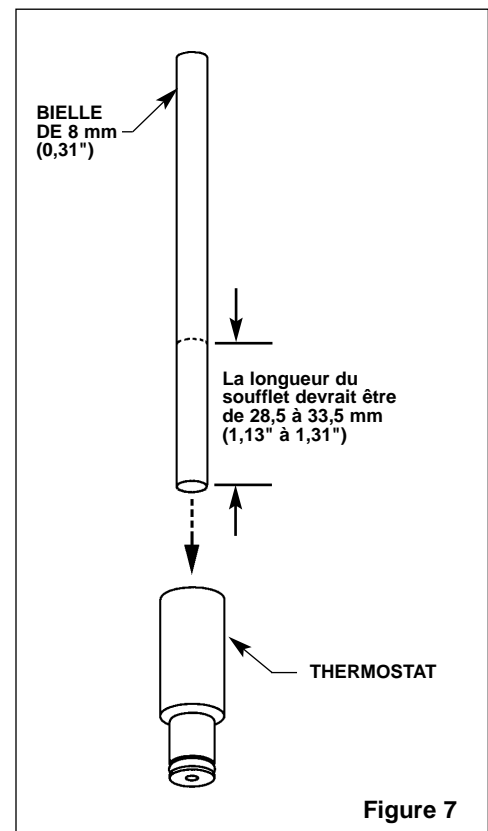


Figure 7

Dépannage du robinet thermostatique mélangeur

Note : Avant de tenter un dépannage du robinet ou de démonter les composantes, vérifier les points suivants :

- s'assurer que les clapets anti-retour sont complètement ouverts (la tige encochée doit être de niveau avec le capuchon de la tige d'arrêt) (voir Figure 1 à la page 12) et s'assurer également que tous les robinets d'entrées et de sorties sont ouverts
- s'assurer que les tuyaux d'entrée pour l'eau chaude et l'eau froide sont correctement branchés et qu'il n'y a aucun branchement croisé ou fuites aux robinets arrêt/contrôle
- vérifier la sortie du chauffe-eau pour s'assurer que la température est à au moins 8,3°C (15°F) au-dessus du niveau réglé.

S'assurer de fermer les robinets d'arrêt appropriés, avant de démonter le robinet. Les rouvrir quand l'inspection et la réparation sont complétées.

Problème : Aucun débit d'eau chaude (débit d'eau froide seulement)

Cause : Le thermostat est en panne, donc le robinet d'arrêt de secours s'est embrayé (le robinet d'arrêt a fermé soit les entrées ou soit les sorties).

Solution : Voir la section « Vérification du fonctionnement approprié du thermostat » ci-dessus et suivre les procédures qui y sont décrites.

Dépannage du robinet thermostatique mélangeur, suite

Problème : Débit d'eau limité

Cause : Le robinet d'arrêt d'entrée peut être partiellement fermé, ou il y a eu une baisse significative de la pression d'eau.

Solution : Voir la section « Vérification du fonctionnement approprié du thermostat » à la page 17 et suivre les procédures qui y sont décrites.

Cause : Les sections arrêt/contrôle du robinet ne bougent pas librement.

Solution : Des saletés et des débris se sont amassés sur le crible ou le siège, limitant ainsi les mouvements des arrêts/contrôles. Enlever l'arrêt/contrôle, nettoyer le crible et le siège, puis assembler le robinet (voir Figure 8). Ne pas enlever le siège. Les composantes peuvent être grattées avec un tournevis, pour en enlever les débris. Les débris dans le siège s'enlèvent bien avec une paire de pinces. Si l'arrêt/contrôle doit être remplacé, contacter votre représentant Bradley et demander la trousse Arrêt/Contrôle (pièce numéro S65-176).

Problème : Température d'eau irrégulière

Cause : Mauvais ajustement de la recirculation.

Solution : Voir les « Directives pour la recirculation » à la page 15 et suivre les procédures indiquées.

Problème : Fuites à l'extérieur du système

Cause : L'un des joints NPT ou les bagues sont endommagés.

Solution : Remplacer les joints NPT et/ou les bagues si nécessaire. Pour le remplacement des bagues, contacter votre représentant Bradley et demander la trousse Bagues/Joints (pièce numéro S65-173).

Problème : Variation de la température

Cause : Le thermostat sera bientôt en panne.

Solution : Voir la section « Vérification du fonctionnement approprié du thermostat » à la page 17 et suivre les procédures décrites.

Cause : Mauvais ajustement de la recirculation.

Solution : Voir les « Directives pour la recirculation » à la page 15 et suivre les procédures indiquées.

Cause : L'entrée d'alimentation du robinet mélangeur est partagée avec d'autres pièces d'équipement qui ne sont utilisées que périodiquement, tels appareils de blanchisserie ou stations de lavage. Cela peut réduire la pression d'entrée du robinet mélangeur à moins de 69 kPA (10 psi). La grosseur de la canalisation d'alimentation ne suffit peut-être pas à fournir le robinet et les autres équipements.

Solution : Installer une canalisation d'alimentation plus grosse, modifier la canalisation d'alimentation ou régulariser l'utilisation de l'alimentation.

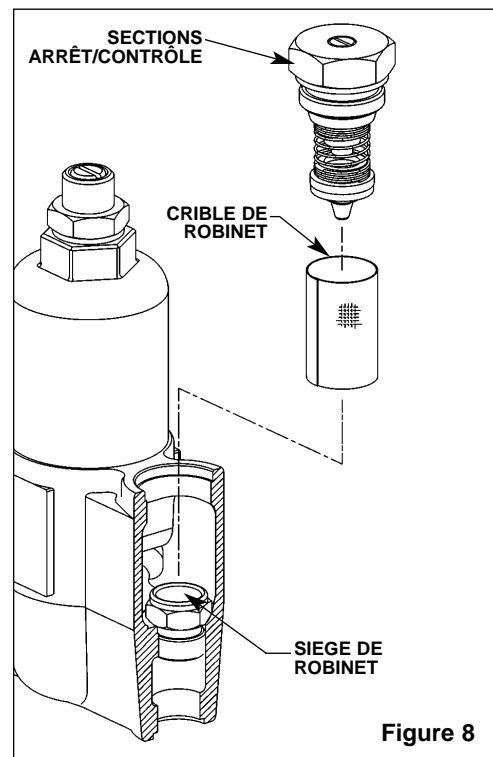
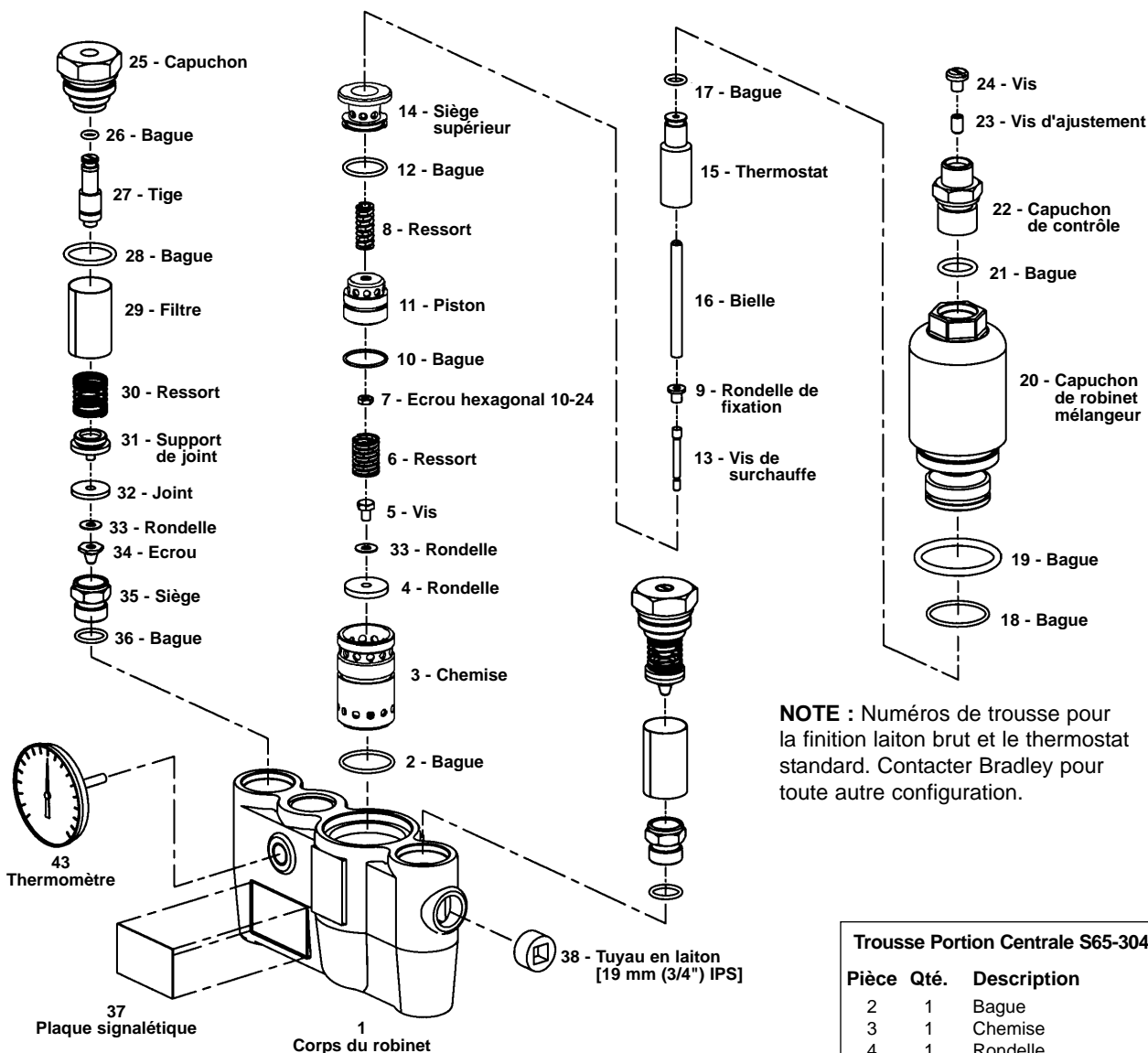


Figure 8

EFX 25 : Liste des pièces et troussees de service



NOTE : Numéros de trousse pour la finition laiton brut et le thermostat standard. Contacter Bradley pour toute autre configuration.

Trousse Thermostat S65-174		
Pièce	Qté.	Description
15	1	Thermostat
17	1	Bague
21	1	Bague

Trousse Piston/Chemise S65-175		
Pièce	Qté.	Description
2	1	Bague
3	1	Chemise
4	1	Rondelle
5	1	Vis
6	1	Ressort
7	1	Ecrou hexagonal 10-24
8	1	Ressort
10	1	Bague
11	1	Piston
33	1	Washer

Trousse Rondelle/Joint S65-310		
Pièce	Qté.	Description
4	1	Rondelle
32	2	Joint
33	3	Rondelle

Trousse Bague S65-173		
Pièce	Qté.	Description
2	1	Bague
10	1	Bague
12	1	Bague
17	1	Bague
18	1	Bague
19	1	Bague
21	1	Bague
26	2	Bague
28	2	Bague
36	2	Bague

Trousse Arrêt/Contrôle S65-176		
Pièce	Qté.	Description
25	2	Capuchon
26	2	Bague
27	2	Tige
28	2	Bague
29	2	Filtre
30	2	Ressort
31	2	Support de joint
32	2	Joint
33	2	Rondelle
34	2	Ecrou
35	2	Siège
36	2	Bague

Trousse Portion Centrale S65-304		
Pièce	Qté.	Description
2	1	Bague
3	1	Chemise
4	1	Rondelle
5	1	Vis
6	1	Ressort
7	1	Ecrou hexagonal 10-24
8	1	Ressort
9	1	Rondelle de fixation
10	1	Bague
11	1	Piston
12	1	Bague
13	1	Vis de surchauffe
14	1	Siège supérieur
15	1	Thermostat
16	1	Bielle
17	1	Bague
18	1	Bague
19	1	Bague
20	1	Capuchon de robinet mélangeur
21	1	Bague
22	1	Capuchon de contrôle
23	1	Vis d'ajustement
24	1	Vis
33	1	Rondelle

Contenido

Información previa a la instalación.....	20	Instrucciones de recirculación.....	24
Instalación de la válvula.....	21	Mantenimiento	25-26
Instalación del armario empotrado.....	22	Resolución de problemas.....	26-27
Instalación del armario para montar en superficies ...	23	Lista de piezas y juegos para reparación	28

Información previa a la instalación

Generalidades

Válvula: La válvula mezcladora termostática EFX 25 (modelo S19-2100) está diseñada para ser usada con ducha de emergencia, lavador de ojos o con la combinación de ducha/lavador de ojos. La válvula consta de un motor térmico llenado de líquido. Para prevenir quemaduras, un mecanismo de control por pistón cierra automáticamente el suministro de agua caliente, en caso de falta de suministro de agua fría. La válvula permite el flujo de agua fría en caso de pérdida o interrupción del suministro de agua caliente o falla del termostato. La válvula se puede montar en cualquier posición.

La temperatura de entrada máxima de la válvula es de 82°C (180°F); se recomienda una temperatura de entrada de 49° a 60°C (120° a 140°F). La válvula tiene una presión de operación máxima de 860 kPA (125 psi).

Armario: El armario opcional para montar sobre la superficie o empotrado está construido de acero inoxidable de calibre 18 con una puerta de acero inoxidable de calibre 16. El acabado del armario puede ser de acero inoxidable o de esmalte al horno de color blanco. La ventana opcional del armario es de Plexiglás.

Materiales requeridos para la instalación

- cierre inmovilizable en la salida si se suministra agua tibia para una o más duchas localizadas a distancia
- cierre inmovilizable en las entradas/suministros
- (6) pernos de anclaje de 3/8 de pulg. y pernos para el armario de montar en superficie
- (4) pernos de 1/4 de pulg. (y pernos de anclaje, en caso de que sean necesarios) para los armarios empotrados
- uniones en todas las conexiones para facilitar el desmontaje de la válvula

Herramientas requeridas para ajustar la temperatura

- llave Allen de 5/32 de pulg.
- destornillador de punta plana

Información de la garantía de Bradley

Las garantías del producto se pueden encontrar en "Información del producto" o en nuestro sitio Web www.bradleycorp.com.

Instalación de la válvula



PRECAUCION: Si se va a usar el armario opcional, debe montarlo antes de instalar la válvula. Consulte las instrucciones de montaje del armario en las páginas 22-23.

Nota: Lave con agua las líneas de suministro antes de empezar la instalación.

Nota: Cuando las válvulas de retención (cheque) están abiertas (en operación), el tornillo de la tapa para el vástago tope/retenedor estará al mismo nivel que la tapa de la válvula (vea Figura 1).

1. Conecte las entradas de los suministros de agua caliente y fría de la válvula con la tubería correspondiente (caliente y fría).
2. Conecte la salida del suministro de la válvula mezcladora a la tubería del suministro de agua templada.
3. Atornille el termómetro en el orificio del cuerpo de la válvula (vea Figura 2). El termómetro suministra una lectura de la temperatura de salida del agua.
4. Presurice la válvula mezcladora termostática y verifique si existen fugas en la tubería.
5. Abra despacio la válvula de la salida para llenar el sistema de la tubería.
6. Verifique la temperatura cuando obtenga un flujo de agua de aprox. 38 l/min (10 galones/minuto) (el equivalente a dos lavadores de rostro) y ajústela si es necesario [el intervalo de la válvula es de 18° a 35°C (65° a 95°F)]. Para ajustar la temperatura, realice el procedimiento siguiente:
 - quite el tornillo de cabeza ranurada de la tapa para exponer el tornillo de ajuste
 - usando una llave hexagonal Allen de 5/32 de pulg., gire el tornillo de ajuste a la **izquierda** para **aumentar** la temperatura o a la **derecha** para **disminuirla**.

Nota: El ajuste estándar de temperatura, fijado en la fábrica, es de 29°C (85°F). Consulte a las autoridades médicas o de seguridad apropiadas acerca de la temperatura óptima que se recomienda para su aplicación específica.

7. Cierre la entrada de agua caliente cerrando la válvula de retención o la válvula de admisión de agua caliente. Con el suministro de agua caliente cerrado, verifique que el agua fría fluya adecuadamente. Si el agua fría está fluyendo apropiadamente, abra nuevamente el suministro de agua caliente.
8. Cierre la entrada de agua fría cerrando la válvula de retención o la válvula de admisión de agua fría. Con el suministro de agua fría cerrado, verifique que el flujo de agua caliente se ha parado.
9. Ponga a prueba el sistema semanalmente (abra el suministro de agua y asegúrese de tener un control constante de la temperatura deseada).

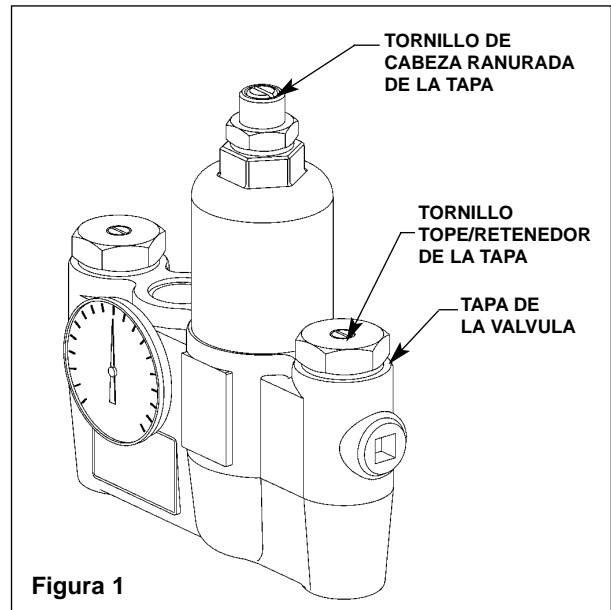


Figura 1

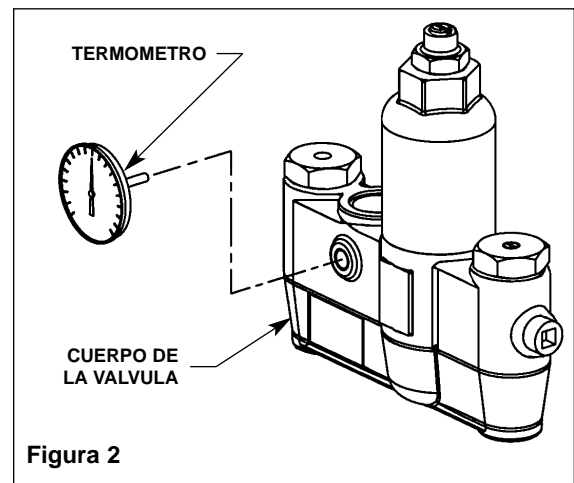


Figura 2

Instalación de la válvula con armario empotrado opcional

Nota: Lave con agua las líneas de suministro antes de empezar la instalación.

1. Haga una abertura en la pared de 62 cm de ancho x 62 cm de altura (24,5 x 24,5 pulg.) para el armario (vea Figura 3).
2. Mida y marque las ubicaciones de los orificios de montaje según las dimensiones que se indican en la Figura 3. Instale cuatro pernos de anclaje de 1/4 de pulg. si se necesitan (suministrados por el instalador).
3. Coloque el armario en la abertura y fíjelo en el lugar con cuatro pernos de pared de 1/4 de pulg. (suministrados por el instalador).
4. Instale dos tornillos y pernos de anclaje a través del portaválvula en la parte trasera del armario y fíjelo a un soporte seguro (suministrado por el instalador) o a la pared. Esto es necesario para proporcionar un apoyo adecuado para la válvula.
5. Usando un sellador para tubos o cinta de teflón, instale los niples de unión y una mitad de la válvula de bola. En seguida instale la otra mitad de la válvula de bola en la tubería de entrada y salida.
6. Inserte la válvula en el portaválvula dentro del armario (el lado derecho de la válvula se inserta primero). Siga el procedimiento descrito en la página 21 para la instalación de la válvula.
7. Mantenga la brida de pared contra la pared y aplique calafateo a la junta.

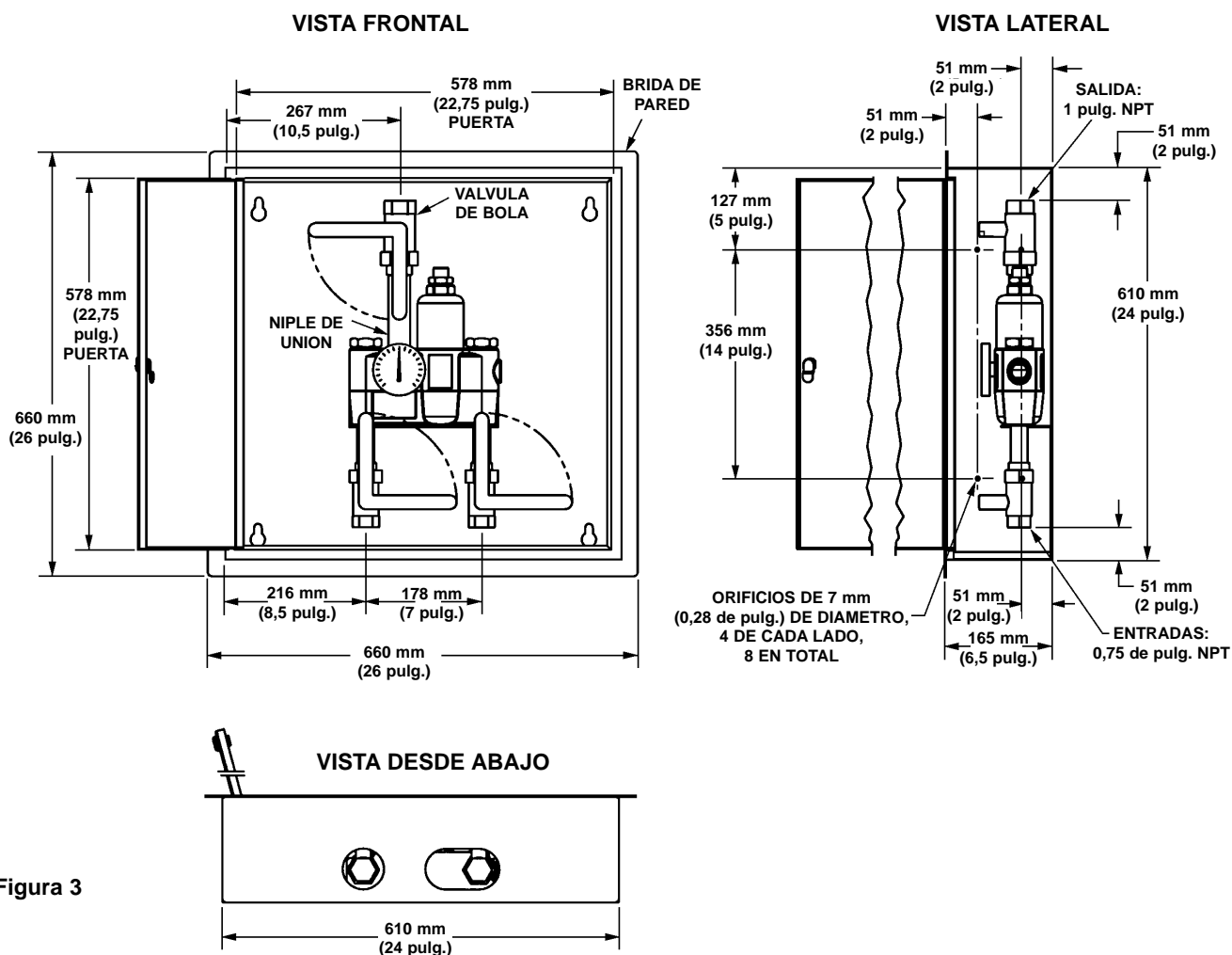


Figura 3

Instalación de la válvula con armario opcional para montar en superficies

Nota: Lave con agua las líneas de suministro antes de empezar la instalación.

1. Mida y marque las ubicaciones de los orificios de montaje según las dimensiones que se indican en la Figura 4. Instale seis pernos de anclaje de 3/8 de pulg. (suministrados por el instalador).
2. Coloque el armario en la pared y fíjelo en el lugar con seis pernos de pared de 3/8 de pulg. (suministrados por el instalador).
3. Usando un sellador para tubos o cinta de teflón, instale los niples de unión y una mitad de la válvula de bola. En seguida instale la otra mitad de la válvula de bola en la tubería de entrada y salida.
4. Inserte la válvula en el portaválvula dentro del armario (el lado derecho de la válvula se inserta primero). Siga el procedimiento descrito en la página 21 para la instalación de la válvula.

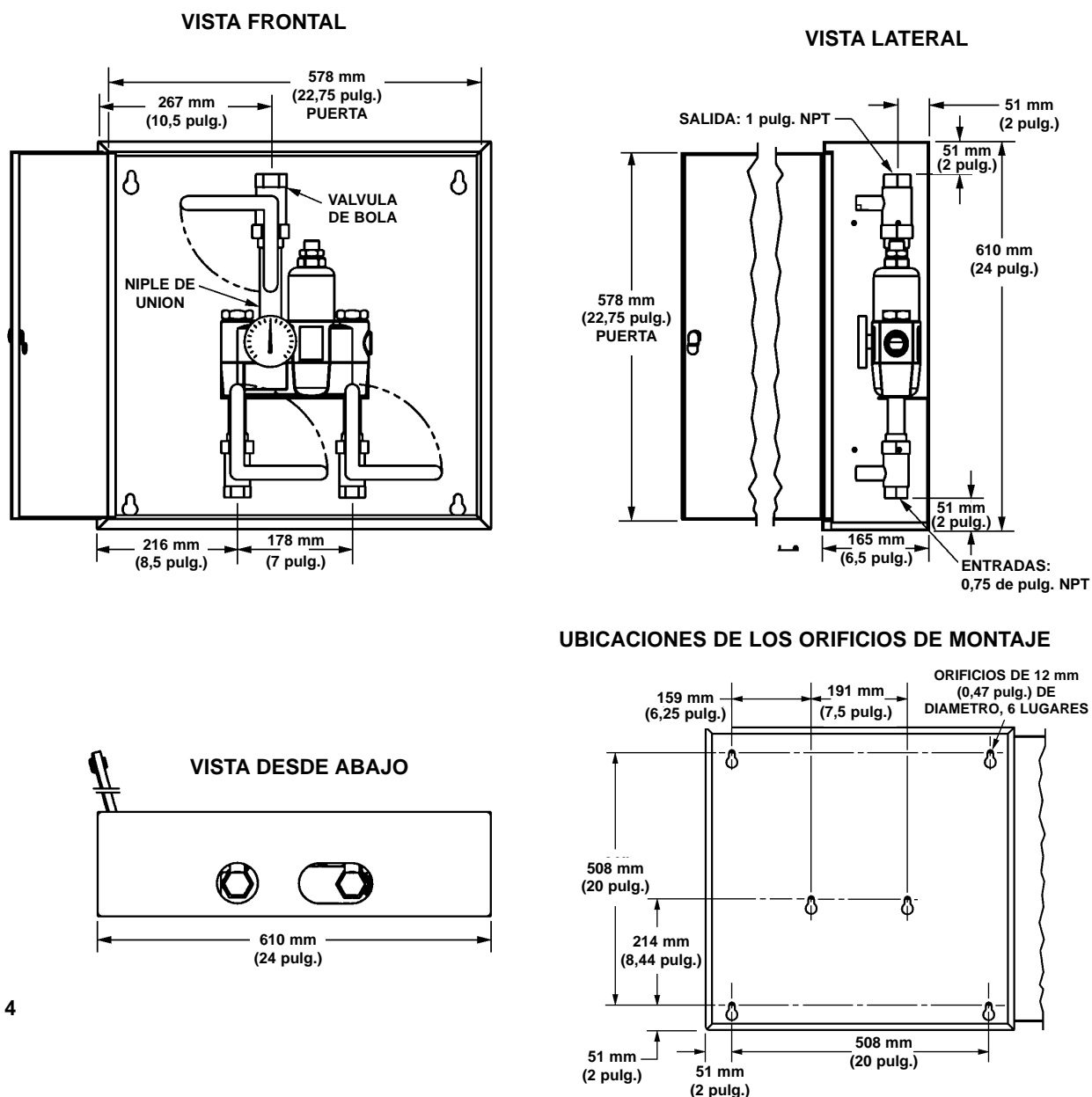
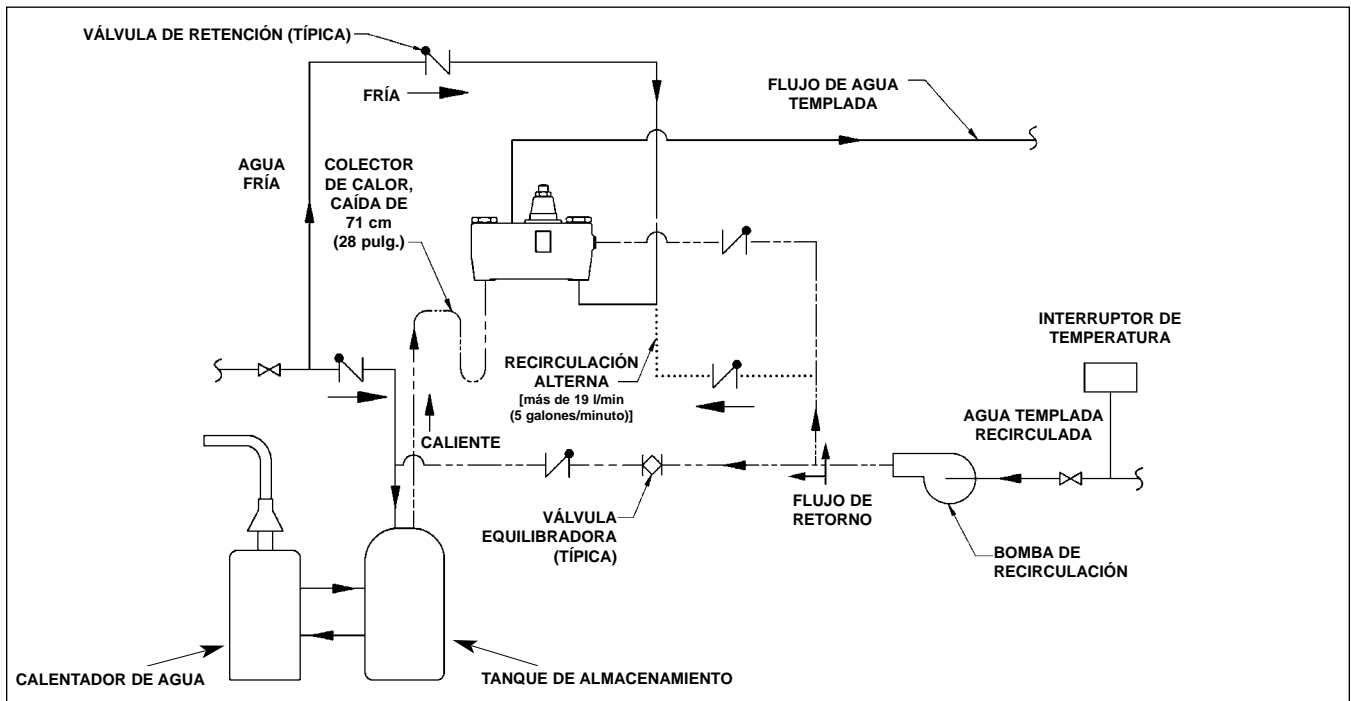


Figura 4

Diagrama de recirculación



Instrucciones de recirculación

Nota: La recirculación del agua en el sistema provee una regulación constante de la temperatura del agua. Lave abundantemente las líneas de suministro después de terminar la instalación. Cierre todos los lavadores/duchas de emergencia y colóqueles un aviso indicando que no están en uso durante el proceso de recirculación.

1. Apague la bomba de recirculación y abra el suministro de agua [se requiere un gasto de 38 a 56 l/min (10 a 15 galones por minuto)].
2. Deje que el agua corra a través del sistema hasta obtener una temperatura constante. Si no obtiene la temperatura requerida, refiérase al paso 6 de la página 21 para ajustar la temperatura.
3. Una vez que el agua alcance la temperatura adecuada, encienda la bomba de recirculación (asegúrese que el sistema haya obtenido la temperatura adecuada antes de proceder).
4. Verifique la temperatura del agua en la bomba de retorno. Si la temperatura excede el nivel apropiado en 1°C (2°F), ajuste el interruptor de alta temperatura (esto apagará la bomba). Espere hasta cuando la temperatura del agua de retorno sea de 2,8°C (5°F) por debajo del nivel apropiado y ajuste el interruptor de baja temperatura (esto encenderá la bomba nuevamente).
5. Gire la válvula de compensación hasta cuando esté completamente abierta.
6. Apague todos los lavadores/duchas de emergencia y asegúrese de que no haya agua corriendo a través del sistema (el tubo de entrada de agua fría debe sentirse tibio al tacto).
7. Deje el sistema funcionando por 30 minutos o más sin agua. Si, después de 30 minutos, la temperatura del agua aumenta, puede ajustar la temperatura cerrando muy despacio la válvula de compensación hasta cuando se obtenga la temperatura apropiada.

Mantenimiento de la válvula mezcladora termostática

Para una máxima eficiencia, la válvula mezcladora termostática requiere un mantenimiento mínimo. Siga los procedimientos a continuación para el mejor desempeño.



ADVERTENCIA: Para prevenir lesiones, use el equipo de seguridad apropiado para proteger los ojos y la piel, cuando use el soplete de propano.

Verifique que el pistón tenga un movimiento uniforme

Para verificar que el pistón de la válvula tenga un movimiento uniforme y libre, realice los pasos siguientes.

1. Retire la tapa superior de la válvula y saque el termostato y después la varilla de empuje (vea Figura 5). Puede utilizar unas pinzas de punta de aguja para retirar el termostato del cuerpo de la válvula si lo desea.
2. Inserte una varilla de 11 mm (0,44 de pulg.) de diámetro dentro de la válvula y dentro la cámara de recalentamiento del pistón. Marque la longitud de la varilla dentro de la válvula (vea Figura 6).
3. Empuje la varilla hasta cuando el pistón se detenga y marque la nueva longitud [la nueva longitud debe ser aproximadamente 8 mm (0,31 de pulg.) más larga que la longitud original] (vea Figura 6). Si la longitud no es la adecuada, el pistón no se está moviendo con libertad y necesita limpiarlo al igual que la camisa del pistón. Para limpiar el pistón y la camisa, siga los pasos a continuación:
 - separe la sección de control del cuerpo de la válvula
 - retire la tapa superior y el termostato
 - desenrosque la camisa de la tapa (si las unieron con pegamento; quite los arosellos y use un soplete para derretir el pegamento y aflojar la camisa)
 - se puede usar cualquier limpiador adecuado para acero inoxidable y latón (si la limpieza con un limpiador adecuado no es suficiente para eliminar los desechos, se puede usar una lija número 400 para pulir el pistón y la camisa).
4. Si el pistón se mueve libremente, mueva el mecanismo hacia arriba y abajo varias veces hasta asegurarse que el pistón tiene un movimiento uniforme y constante. Si el movimiento del pistón no es uniforme, revise el pistón y la camisa por alguna suciedad o desecho como se explica en el paso 3.
 - si necesita reemplazar las piezas del pistón, comuníquese con el representante de Bradley y pídale el Juego de Pistón/Camisa (pieza número S65-175).

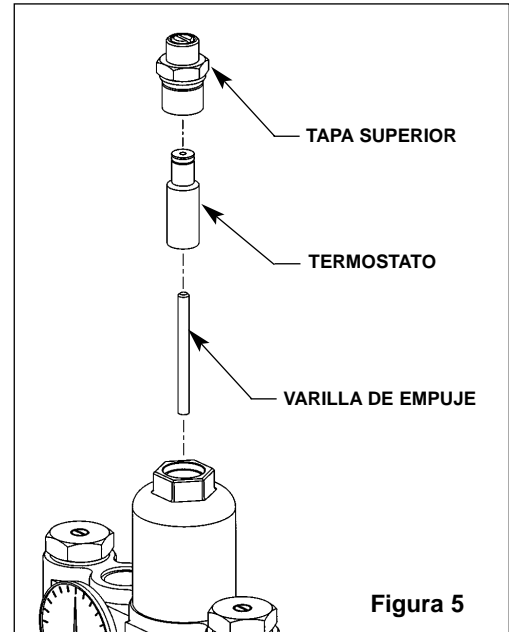


Figura 5

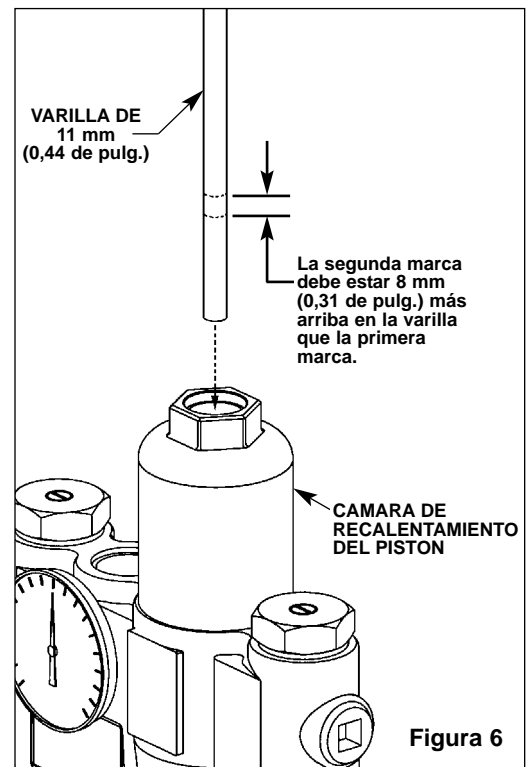


Figura 6

Mantenimiento de la válvula mezcladora termostática, continuación

Verifique que el termostato funcione apropiadamente

Para verificar que el termostato de la válvula esté funcionando adecuadamente, realice los pasos siguientes.

1. Retire la tapa superior y saque la varilla de empuje y el termostato (vea Figura 5, página 25).
2. Inserte una varilla de 8 mm (0,31 de pulg.) de diámetro dentro del fuelle del termostato. Marque la longitud de la varilla dentro del fuelle (vea Figura 7).
3. Marque la longitud del fuelle del termostato [a temperatura ambiente, con 4,45 kg / 44,5 N (10 libras) de fuerza, la longitud del fuelle debe ser aproximadamente 32 mm (1,25 pulg.)] (vea Figura 7).
4. Si la longitud del fuelle del termostato no es adecuada, se debe reemplazar el termostato (no se puede reparar). Comuníquese con el representante de Bradley y pídale el Juego del Termostato (pieza número S65-174).

Ajuste la temperatura

Para ajustar la temperatura de la válvula a un nivel diferente al fijado en la fábrica, realice los pasos siguientes.

1. Abra el suministro de agua y deje el agua correr hasta cuando por lo menos 38 l/min (10 galones/minuto) fluyan a través de la válvula.
2. Quite el tornillo de cabeza ranurada de la tapa para exponer el tornillo de ajuste.
3. Usando una llave hexagonal Allen de 5/32 de pulg., gire el tornillo de ajuste a la **izquierda** para **aumentar** la temperatura o a la **derecha** para **disminuirla**.
4. Cuando se termine el ajuste, reemplace el tornillo de la tapa y cierre el suministro de agua.

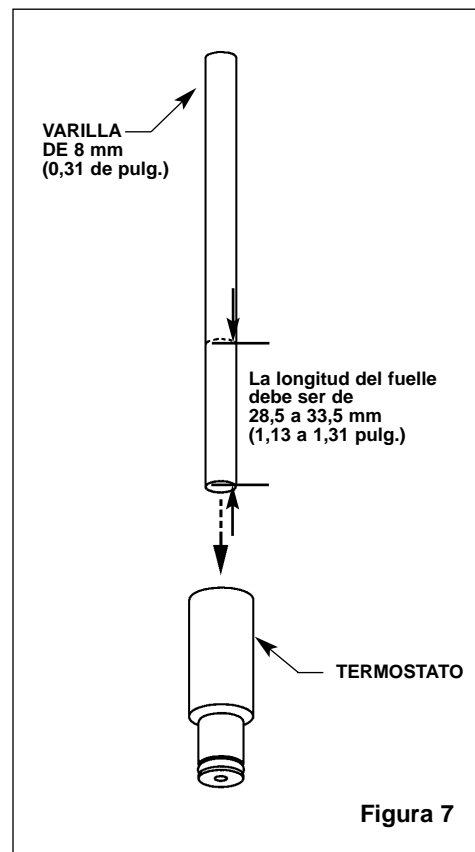


Figura 7

Resolución de problemas de la válvula mezcladora termostática

Nota: Antes de intentar reparar o desmontar la válvula, examine las condiciones siguientes:

- asegúrese de que las válvulas de retención estén completamente abiertas (el vástago ranurado debe estar al mismo nivel que la tapa tope/retenedor) (vea Figura 1, página 21) y todas las válvulas de cierre de las entradas y salidas se encuentren abiertas
- asegúrese de que los tubos de entrada del agua caliente y fría se encuentren conectados correctamente, y que no hayan conexiones cruzadas ni fugas en las válvulas de tope/retención
- revise la salida del calentador del agua y asegúrese de que esté al menos 8,3°C (15°F) por encima de la temperatura fijada.

Asegúrese de cerrar las válvulas de cierre correspondientes antes de desmontar la válvula y de abrirlas nuevamente después de terminar la inspección y reparación.

Problema: No hay flujo de agua caliente (sólo flujo de agua fría)

Causa: Falla del termostato y, como resultado, el cierre de seguridad se activa (la válvula de cierre está cerrada en las entradas o en la salida).

Solución: Refiérase a la sección anterior “Verifique que el termostato funcione apropiadamente” y siga el procedimiento paso a paso.

Resolución de problemas, continuación

Problema: Flujo de agua limitado

Causa: La válvula de cierre de entrada puede estar cerrada parcialmente o ha ocurrido una baja significativa de la presión del agua.

Solución: Refiérase a la sección “Verifique que el termostato funcione apropiadamente” en la página 26 y siga el procedimiento paso a paso.

Causa: Las secciones de tope y retención de la válvula no se mueven libremente.

Solución: Suciedad y desechos se han depositado en el filtro o en el asiento, limitando el movimiento del tope y los retenedores. Quite el tope y los retenedores, limpie el filtro y el asiento y monte la válvula nuevamente (vea Figura 8). No retire el asiento. Los componentes se pueden raspar con un destornillador para eliminar los desechos. Con unas pinzas se puede sacar cualquier desecho del asiento. Si el tope y los retenedores necesitan reemplazarse, comuníquese con el representante de Bradley y pídale el Juego de Retenedor/Tope (pieza número S65-176).

Problema: Temperatura del agua inadecuada

Causa: La recirculación no está balanceada.

Solución: Refiérase a la sección “Instrucciones de recirculación” en la página 24 y siga el procedimiento paso a paso.

Problema: Fugas externas

Causa: Las uniones NPT o los arosellos se han dañado.

Solución: Reemplace las uniones NPT y/o los arosellos donde sea necesario. Para obtener arosellos de repuesto, comuníquese con el representante de Bradley y pídale el Juego de Arosellos/Sellos (pieza número S65-173).

Problema: Fluctuación de la temperatura

Causa: El termostato está fallando lentamente.

Solución: Refiérase a la sección “Verifique que el termostato funcione apropiadamente” en la página 26 y siga el procedimiento paso a paso.

Causa: La recirculación no está balanceada.

Solución: Refiérase a la sección “Instrucciones de recirculación” en la página 24 y siga el procedimiento paso a paso.

Causa: La entrada de la línea de suministro de la válvula mezcladora es compartida con otros equipos que son usados sólo periódicamente, tales como máquinas de lavar o estaciones de lavado. Esto puede reducir la presión de entrada de la válvula mezcladora a menos de 69 kPA (10 psi). La capacidad de la línea de suministro puede no ser lo suficientemente grande para el suministro de ambos, la válvula y los otros equipos.

Solución: Utilice una línea de suministro de mayor capacidad, reconfigure la línea de suministro o regule el uso del suministro.

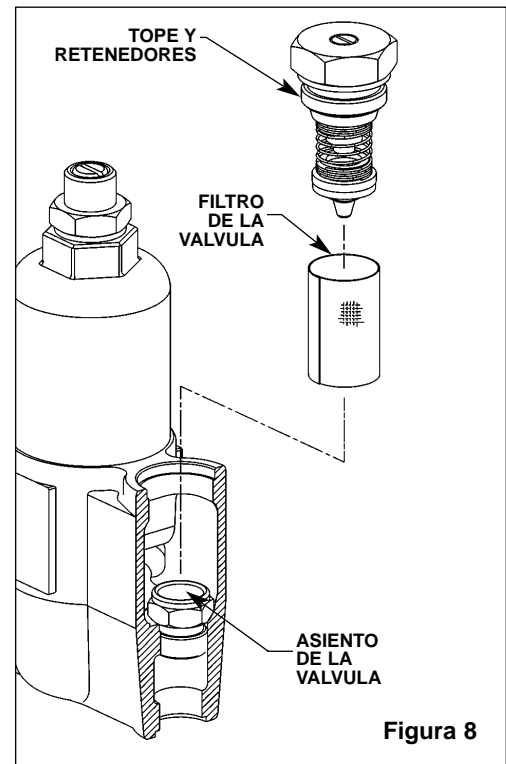
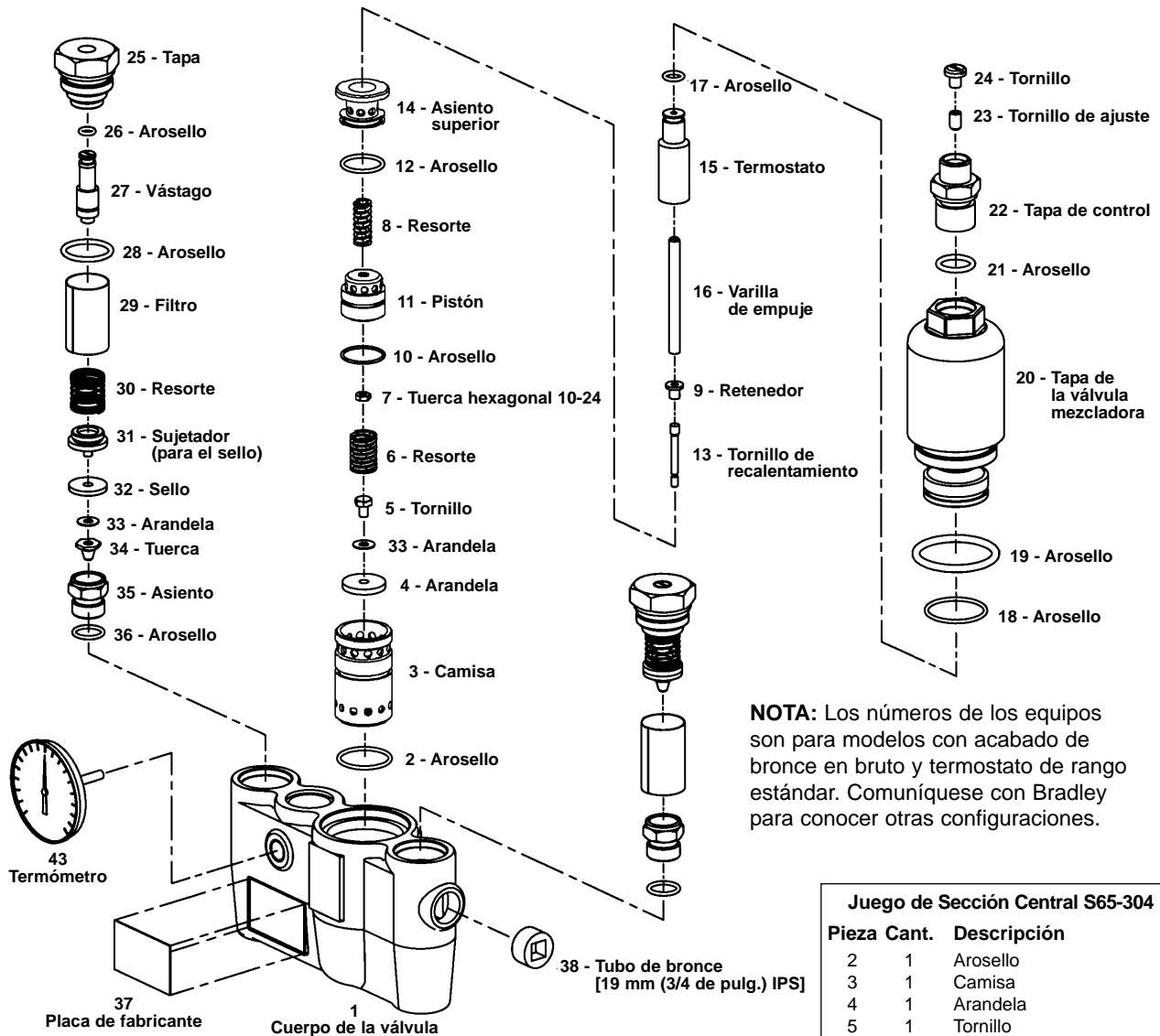


Figura 8

EFX 25: Lista de piezas y juegos para reparación



NOTA: Los números de los equipos son para modelos con acabado de bronce en bruto y termostato de rango estándar. Comuníquese con Bradley para conocer otras configuraciones.

Juego de Sección Central S65-304

Pieza	Cant.	Descripción
2	1	Arosello
3	1	Camisa
4	1	Arandela
5	1	Tornillo
6	1	Resorte
7	1	Tuerca hexagonal 10-24
8	1	Resorte
9	1	Retenedor
10	1	Arosello
11	1	Pistón
12	1	Arosello
13	1	Tornillo de recalentamiento
14	1	Asiento superior
15	1	Termostato
16	1	Varilla de empuje
17	1	Arosello
18	1	Arosello
19	1	Arosello
20	1	Tapa de la válvula mezcladora
21	1	Arosello
22	1	Tapa de control
23	1	Tornillo de ajuste
24	1	Tornillo
33	1	Arandela

Juego de Termostato S65-174

Pieza	Cant.	Descripción
15	1	Termostato
17	1	Arosello
21	1	Arosello

Juego de Arandela/Sellos S65-310

Pieza	Cant.	Descripción
4	1	Arandela
32	2	Sello
33	3	Arandela

Juego de Pistón/Camisa S65-175

Pieza	Cant.	Descripción
2	1	Arosello
3	1	Camisa
4	1	Arandela
5	1	Tornillo
6	1	Resorte
7	1	Tuerca hexagonal 10-24
8	1	Resorte
10	1	Arosello
11	1	Pistón
33	1	Arandela

Juego de Arosellos S65-173

Pieza	Cant.	Descripción
2	1	Arosello
10	1	Arosello
12	1	Arosello
17	1	Arosello
18	1	Arosello
19	1	Arosello
21	1	Arosello
26	2	Arosello
28	2	Arosello
36	2	Arandela

Juego de Retenedor/Tope S65-176

Pieza	Cant.	Descripción
25	2	Tapa
26	2	Arosello
27	2	Vástago
28	2	Arosello
29	2	Filtro
30	2	Resorte
31	2	Sujetador (para el sello)
32	2	Sello
33	2	Arandela
34	2	Tuerca
35	2	Asiento
36	2	Arosello